

PARTS MANUAL



MODEL DLW-300ES MODEL DLW-300ESA MODEL WELDER/GENERATOR (KUBOTA D722 DIESEL ENGINE)

Revision #1 (10/22/10)

To find the latest revision of this
publication, visit our website at:
www.multiquip.com



THIS MANUAL MUST ACCOMPANY THE EQUIPMENT AT ALL TIMES.

TABLE OF CONTENTS

MQ DLW-300ES/ESA WELDER GENERATOR

Table Of Contents	2
Parts Ordering Procedures	3
Explanation Of Codes In Remarks Column	4
Suggested Spare Parts	5

COMPONENT DRAWINGS

Generator Assembly	6-7
Control Panel Assembly	8-11
Electric Parts 1 DLW300ES Assembly	12-13
Electric Parts 2 DLW300ES Assembly	14-15
Electric Parts 3 DLW300ES Assembly	16-17
Electric Parts 1 DLW300ESA Assembly	18-19
Electric Parts 2 DLW300ESA Assembly	20-21
Engine and Radiator Assembly	22-25
Battery Assembly	26-27
Muffler Assembly	28-29
Fuel Tank Assembly	30-31
Enclosure Assembly	32-35
Rubber Seals Assembly	36-37
Nameplate and Decals	38-41

KUBOTA D722-E2BWDDE/ D722-E3BWDDE-2

Crankcase Assembly	42-43
Oil Pan Assembly	44-45
Cylinder Head Assembly	46-47
Gear Case Assembly	48-49
Head Cover Assembly	50-51
Oil Filter Assembly	52-53
Dipstick and Guide Assembly	54-55
Oil Pump Assembly	56-57
Main Bearing Case Assembly (D722E2B)	58-59
Main Bearing Case Assembly (D722E3B)	60-61
Camshaft and Idle Gear Shaft Assembly	62-63
Piston and Crankshaft Assembly	64-65
Flywheel Assembly	66-67
Fuel Camshaft and Governor Shaft Assy.	68-69
Engine Idle Appartus Assembly	70-71
Stop Solenoid Assembly	72-73
Injection Pump Assembly	74-75
Speed Control Plate Assembly	76-77
Nozzle Holder and Glow Plug Assembly	78-79
Nozzle Holder(CP) Assembly	80-83
Fork Lever (Governor) Assembly	84-85
Fuel Filter Assembly	86-87
Fuel Pump Assembly	88-89
Dynamo and Pulley Assembly	90-91
Dynamo (CP) Assembly	92-93
Starter Assembly	94-95
Starter (CP) Assembly	96-97
Oil Switch and Thermostat Plug Assembly	98-99
Water Flange and Thermostat Assembly	100-101
Water Pump Assembly	102-103
Water Pipe Assembly	104-105
Fan Assembly	106-107
Valve and Rocker Arm Assembly	108-109
Inlet Manifold Assembly (D722E2B)	110-111
Exhaust Manifold Assembly (D722E2B)	112-113
Air Cleaner Assembly (D722E2B)	114-115
Glow Plug-Lamp/Timer Assy. (D722E2B)	116-117
Starter Switch Assembly (D722E2B)	118-119
Piston Kit (Opitional) (D722E2B)	120-121

Terms and Conditions Of Sale — Parts	122
--	-----

PARTS ORDERING PROCEDURES

Ordering parts has never been easier! Choose from three easy options:

Effective:
January 1st, 2006

www.multiquip.com



Order via Internet (Dealers Only):

Order parts on-line using Multiquip's SmartEquip website!

- View Parts Diagrams
- Order Parts
- Print Specification Information



If you have an MQ Account, to obtain a Username and Password, E-mail us at: parts@multiquip.com.

To obtain an MQ Account, contact your District Sales Manager for more information.

Goto www.multiquip.com and click on **Order Parts** to log in and save!

Use the **internet** and qualify for a **5% Discount** on *Standard orders* for all orders which include complete part numbers.*

Note: Discounts Are Subject To Change



Order via Fax (Dealers Only):

All customers are welcome to order parts via Fax.

Domestic (US) Customers dial:
1-800-6-PARTS-7 (800-672-7877)

Fax your order in and qualify for a **2% Discount** on *Standard orders* for all orders which include complete part numbers.*

Note: Discounts Are Subject To Change



Order via Phone: Domestic (US) Dealers Call:
1-800-427-1244

Non-Dealer Customers:

Contact your local Multiquip Dealer for parts or call 800-427-1244 for help in locating a dealer near you.



International Customers should contact their local Multiquip Representatives for Parts Ordering information.

When ordering parts, please supply:

- | | |
|---|--|
| <input type="checkbox"/> Dealer Account Number | <input type="checkbox"/> Specify Preferred Method of Shipment: |
| <input type="checkbox"/> Dealer Name and Address | <input checked="" type="checkbox"/> UPS/Fed Ex <input checked="" type="checkbox"/> DHL |
| <input type="checkbox"/> Shipping Address (if different than billing address) | <input type="checkbox"/> Priority One <input checked="" type="checkbox"/> Truck |
| <input type="checkbox"/> Return Fax Number | <input type="checkbox"/> Ground |
| <input type="checkbox"/> Applicable Model Number | <input type="checkbox"/> Next Day |
| <input type="checkbox"/> Quantity, Part Number and Description of Each Part | <input type="checkbox"/> Second/Third Day |

NOTICE

All orders are treated as *Standard Orders* and will ship the same day if received prior to 3PM PST.

WE ACCEPT ALL MAJOR CREDIT CARDS!



DLW-300ES/300ESA — EXPLANATION OF CODE IN REMARKS

The following section explains the different symbols and remarks used in the Parts section of this manual. Use the help numbers found on the back page of the manual if there are any questions.

NOTICE

The contents and part numbers listed in the parts section are subject to change **without notice**. Multiquip does not guarantee the availability of the parts listed.

SAMPLE PARTS LIST

NO.	PART NO.	PART NAME	QTY.	REMARKS
1	12345	BOLT.....	1	INCLUDES ITEMS W/%
2%		WASHER, 1/4 IN.....		NOT SOLD SEPARATELY
2%	12347	WASHER, 3/8 IN....	1	MQ-45T ONLY
3	12348	HOSE		A/R ...MAKE LOCALLY
4	12349	BEARING	1	S/N 2345B AND ABOVE

NO. Column

Unique Symbols — All items with same unique symbol

(@, #, +, %, or >) in the number column belong to the same assembly or kit, which is indicated by a note in the “Remarks” column.

Duplicate Item Numbers — Duplicate numbers indicate multiple part numbers, which are in effect for the same general item, such as different size saw blade guards in use or a part that has been updated on newer versions of the same machine.

NOTICE

When ordering a part that has more than one item number listed, check the remarks column for help in determining the proper part to order.

PART NO. Column

Numbers Used — Part numbers can be indicated by a number, a blank entry, or TBD.

TBD (To Be Determined) is generally used to show a part that has not been assigned a formal part number at the time of publication.

A blank entry generally indicates that the item is not sold separately or is not sold by Multiquip. Other entries will be clarified in the “Remarks” Column.

QTY. Column

Numbers Used — Item quantity can be indicated by a number, a blank entry, or A/R.

A/R (As Required) is generally used for hoses or other parts that are sold in bulk and cut to length.

A blank entry generally indicates that the item is not sold separately. Other entries will be clarified in the “Remarks” Column.

REMARKS Column

Some of the most common notes found in the “Remarks” Column are listed below. Other additional notes needed to describe the item can also be shown.

Assembly/Kit — All items on the parts list with the same unique symbol will be included when this item is purchased.

Indicated by:

“INCLUDES ITEMS W/(unique symbol)”

Serial Number Break — Used to list an effective serial number range where a particular part is used.

Indicated by:

“S/N XXXXX AND BELOW”

“S/N XXXX AND ABOVE”

“S/N XXXX TO S/N XXX”

Specific Model Number Use — Indicates that the part is used only with the specific model number or model number variant listed. It can also be used to show a part is NOT used on a specific model or model number variant.

Indicated by:

“XXXXX ONLY”

“NOT USED ON XXXX”

“Make/Obtain Locally” — Indicates that the part can be purchased at any hardware shop or made out of available items. Examples include battery cables, shims, and certain washers and nuts.

“Not Sold Separately” — Indicates that an item cannot be purchased as a separate item and is either part of an assembly/kit that can be purchased, or is not available for sale through Multiquip.

DLW-300ES/300ESA — SUGGESTED SPARE PARTS

DLW-300ES/DLW-300ESA

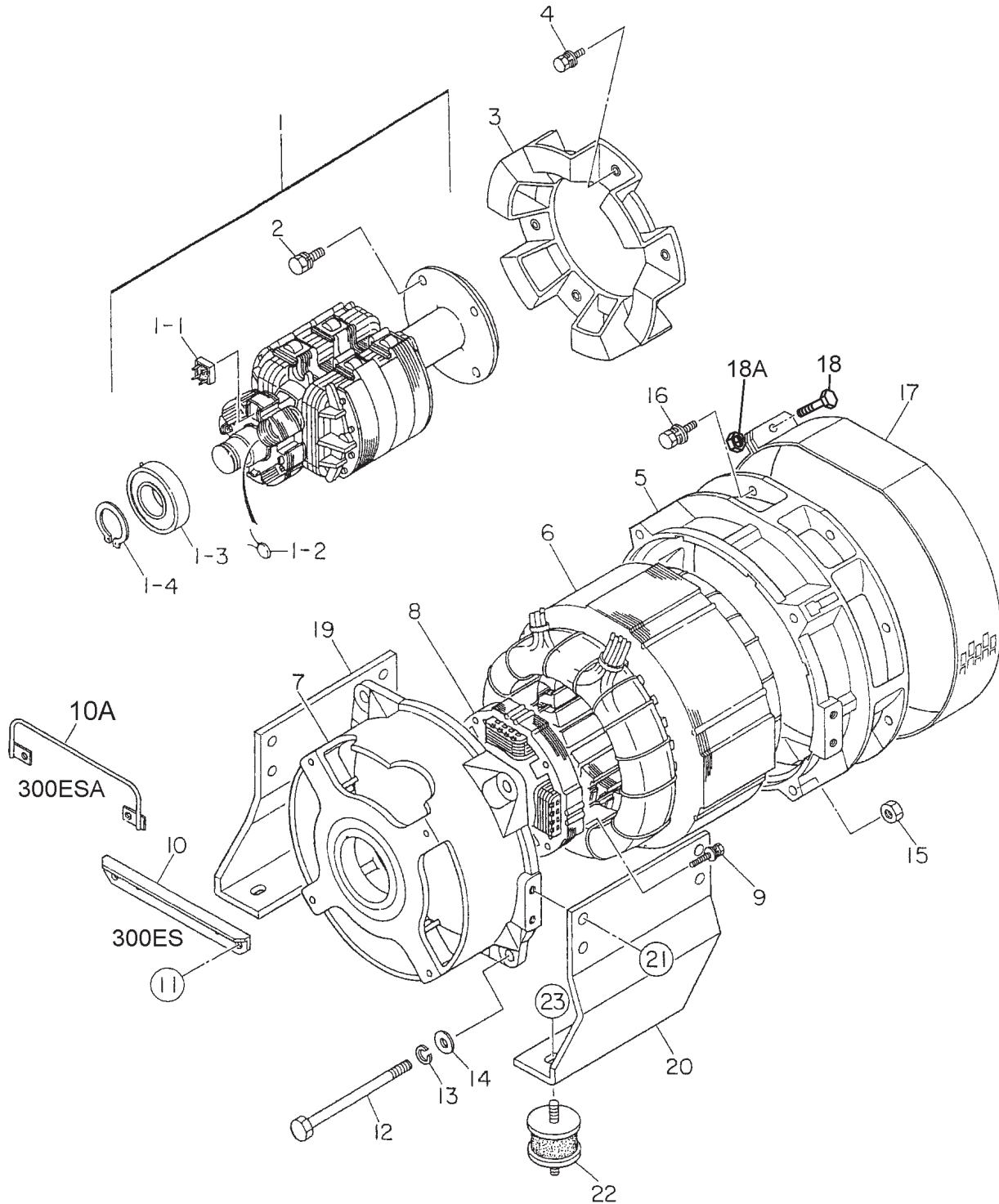
W/KUBOTA D722-E2B-WDDE-2/D722-E3B-WDDE-2 DIESELENGINES

1 TO 3 UNITS

<u>Qty.</u>	<u>P/N</u>	<u>Description</u>	<u>Remarks</u>
5	0602041270	CARTRIDGE, OIL FILTER	
1	D4311500003	HOSE, RADIATOR, UPPER	
1	D4311500103	HOSE, RADIATOR, LOWER	
1	0602011064	CAP, RADIATOR (DLW300ES)	
1	0602011079	CAP, RADIATOR (DLW300ESA)	
1	0810100813	CAP, FUEL TANK	
1	1522139013	SWITCH, OIL	
6	1553143010	FILTER, FUEL	
6	1523143560	FILTER, FUEL ELEMENT	
3	0602046611	FILTER, AIR (ELEMENT)	
1	0602011470	FAN BELT	
1	0601808254	CIRCUIT BREAKER, 2P, @ 42A (DLW300ES)	
1	0601806472	CIRCUIT BREAKER, 2P, @ 40A (DLW300ESA)	
1	0601806420	CIRCUIT BREAKER, 1P, @ 20A (DLW300ES)	
1	0601806423	CIRCUIT BREAKER, 1P, @ 20A(DLW300ESA)	
1	0601806421	CIRCUIT BREAKER, 1P, @ 30A (DLW300ES)	
1	0601806424	CIRCUIT BREAKER, 1P, @ 30A (DL300ESA)	
1	0601806422	CIRCUIT BREAKER, 2P, @ 30A (DLW300ES)	
1	0601806425	CIRCUIT BREAKER, 2P, @ 30A (DLW300ESA)	
1	0601820664	AUTOMATIC VOLTAGE REGULATOR	
1	0601840028	RHEOSTAT (CURRENT/VOLTAGE REGULATOR 500Ω)	
1	0601840103	KNOB, RHEOSTAT (CURRENT/VOLTAGE REGULATOR)	
1	0601840095	RHEOSTAT (ARC FORCE TRIMMER)	
1	0601840170	KNOB, RHEOSTAT (RHEOSTAT (ARC FORCE TRIMMER)	
5	0601806642	FUSE, 5A	
5	0601806643	FUSE, 15A	
5	0601806644	FUSE, 30A	
5	0601806640	FUSE, 65A	

DLW-300ES/ESA — GENERATOR ASSY.

GENERATOR ASSY.



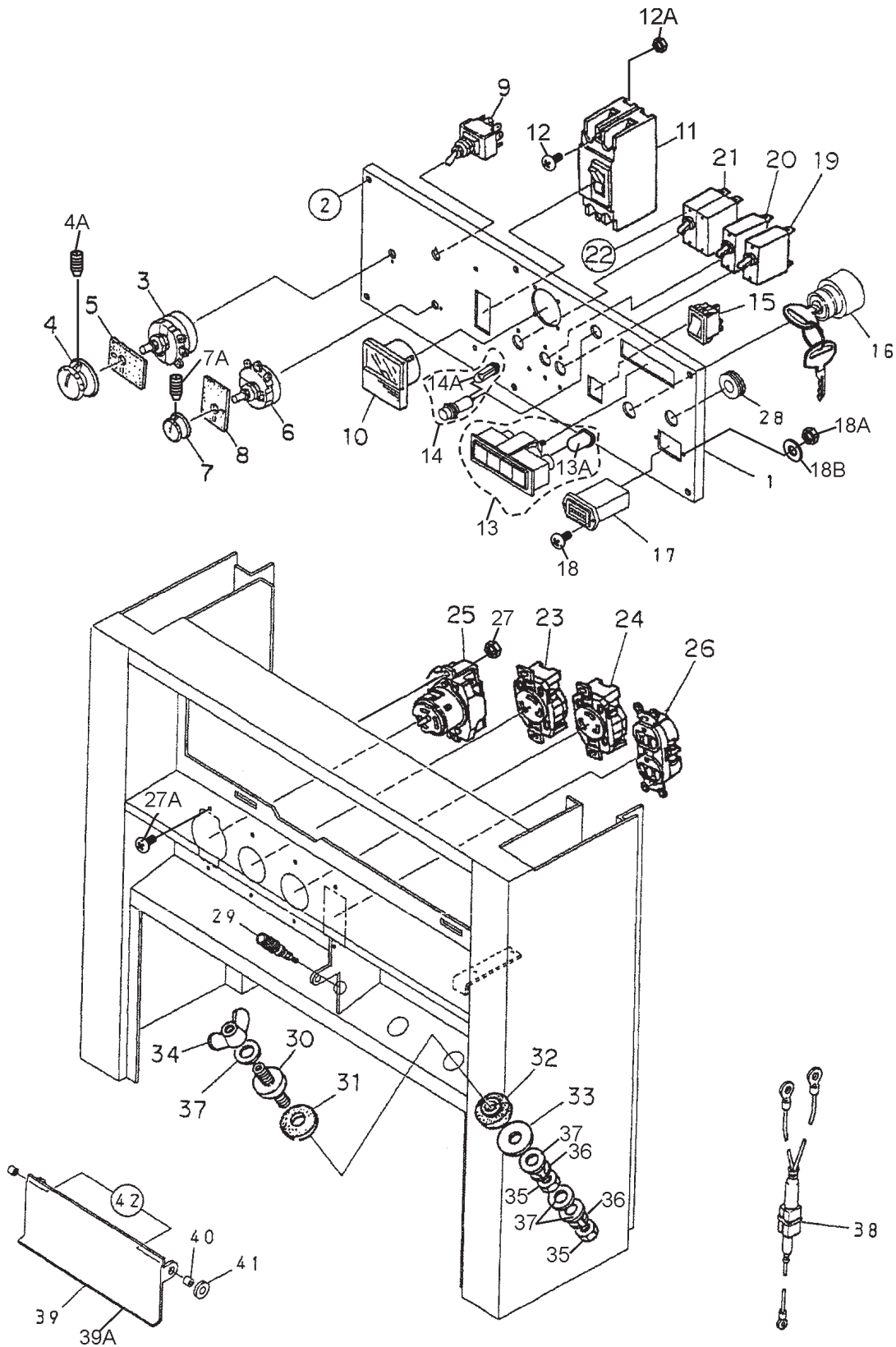
DLW-300ES/ESA — GENERATOR ASSY.

GENERATOR ASSY.

<u>NO.</u>	<u>PART NO.</u>	<u>PART NAME</u>	<u>QTY.</u>	<u>REMARKS</u>
1	D4110000203	ROTOR ASSY.	1	INCLUDES ITEM W/*
1-1*	0601820037	RECTIFIER	1	
1-2*	0601822638	SURGE ABSORBER	1	
1-3*	0071206307	BEARING	1	
1-4*	008000035	SNAP RING	1	
2	0012410030	HEX. HEAD BOLT	4	
3	D4111100103	FAN	1	
4	0017108025	HEX. HEAD BOLT	6	
5	D4153100102	END BRACKET	1	
6	D4135000503	ARMATURE ASSY., (DLW-300ES)	1	
6	D4135001203	ARMATURE ASSY., (DLW-300ESA)	1	
7	D4153000202	END BRACKET	1	
8	D4139000003	FIELD ASSY., EXCITER	1	
9	0017105035	HEX. HEAD BOLT	4	
10	D4155300104	BRACKET, (DLW-300ES)	1	
10	D4155300104	BRACKET, (DLW-300ESA)	1	SN 3822710 AND BELOW
10A	D4185300004	BRACKET, (DLW-300ESA)	1	SN 3822711 AND ABOVE
11	0016908020	HEX. HEAD BOLT	2	
12	D4131200004	SET BOLT	4	
13	0040012000	WASHER, LOCK	4	
14	0041212000	WASHER, FLAT	4	
15	0030012000	HEX. NUT	4	
16	0012410025	HEX. HEAD BOLT	8	
17	D4155400204	COVER, FAN	1	
18	0017106040	HEX. HEAD BOLT	1	
18A	0037906000	HEX. NUT	1	
19	D4132100103	GENERATOR FOOT	1	
20	D4132100003	GENERATOR FOOT	1	
21	0012310025	HEX. HEAD BOLT	8	
22	7605419004	RUBBER SUSPENSION	2	
23	0207010000	HEX. NUT	2	

DLW-300ES — CONTROL PANEL ASSY.

CONTROL PANEL ASSY. (DLW-300ES)



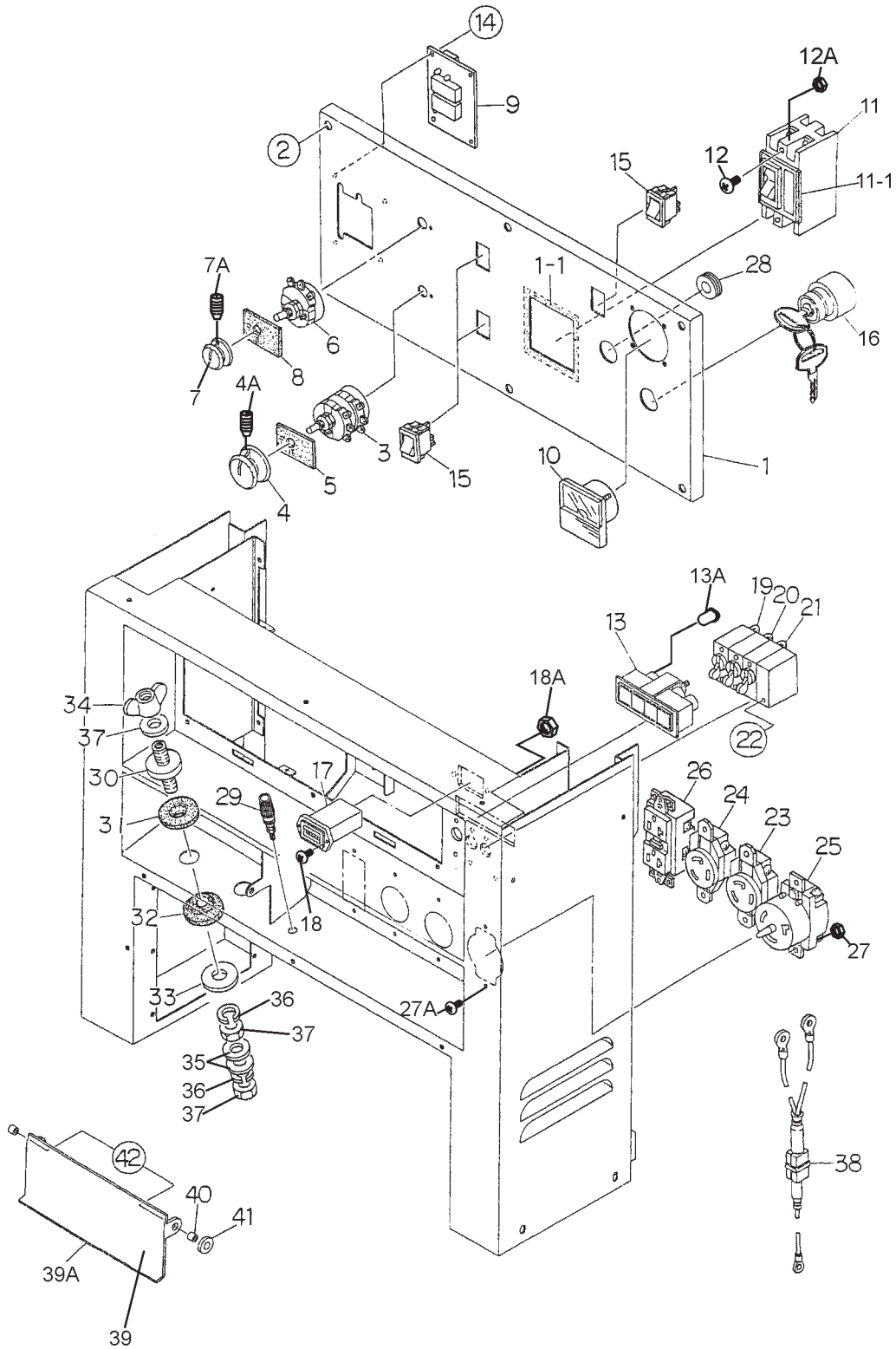
DLW-300ES — CONTROL PANEL ASSY.

CONTROL PANEL ASSY.(DLW-300ES)

<u>NO.</u>	<u>PART NO.</u>	<u>PART NAME</u>	<u>QTY.</u>	<u>REMARKS</u>
1	D4224000503	CONTROL PANEL	1	REPLACES P/N D4511300902
2	0021806030	MACHINE SCREW	6	
3	0601840028	RHEOSTAT CURRENT REGULATOR	1	
4	0601840103	KNOB	1	
4A	0023304008	SET SCREW	2	
5	0801883003	INSULATOR	1	
6	0601840095	RHEOSTAT (ARC FORCE REGULATOR)	1	
7	0601840100	KNOB	1	
7A	0023303508	SET SCREW	2	
8	0801883003	INSULATOR	1	
9	0601831309	SWITCH, E-3MODE	1	
10	0601800281	AC VOLTMETER, 5A 0~150/300V	1	
11	0601808254	CIRCUIT BREAKER, 42A	1	
12	0027104070	MACHINE SCREW	2	
12A	0038704000	HEX. NUT	2	
13	0601810523	INDICATOR ASSY.	1	INCLUDES ITEM W/*
13A*	0601810207	BULB	4	
14	0602103098	WARNING LAMP	1	INCLUDES ITEM W/#
14A#	0601810248	BULB	1	
15	0601831620	SWITCH, IDLE CONTROL	1	
16	0602100077	STARTER SWITCH	1	REPLACES P/N 3741059113
17	0601800682	HOUR METER, DC10-32V	1	
18	0027103512	MACHINE SCREW	2	
18A	0030003500	HEX. NUT	2	
18B	0040403500	WASHER	2	
19	0601806420	CIRCUIT BREAKER, CB4 20A,	1	
20	0601806421	CIRCUIT BREAKER, CB3 30A	1	
21	0601806422	CIRCUIT BREAKER, CB2 30A	1	
22	0027103006	MACHINE SCREW	6	
23	0601811033	RECEPTACLE, L6-30R	1	
24	0601811035	RECEPTACLE, L5-30R	1	
25	0601812565	RECEPTACLE, CS6369	1	
26	0601812598	RECEPTACLE, 5-20R	1	
27	0038704000	HEX. NUT	8	
27A	0027104016	MACHINE SCREW	8	
28	0601850290	GROMMET	1	
29	0601815109	GROUND TERMINMAL	1	
30	0801888204	OUTPUT TERMINAL, WELDING	2	
31	0801840104	INSULATOR WASHER	2	
32	0801840004	INSULATOR WASHER	2	
33	0801841204	SET WASHER, OUTPUT TERMINAL	2	
34	0801884004	WING NUT	2	
35	0039512000	HEX. NUT	4	
36	0042212000	WASHER, LOCK	4	
37	0041412000	WASHER, FLAT	6	
38	D4268304704	NOISE FILTER	1	
39	D4237100203	COVER, OUTPUT TERMINAL	1	
39A	D4237400204	RUBBER SHEET	1	
40	0821800014	COLLAR	1	
41	D9311200004	STAY RUBBER	1	
42	0016906020	HEX. HEAD BOLT	2	

DLW-300ESA — CONTROL PANEL ASSY.

CONTROL PANEL ASSY. (DLW-300ESA)



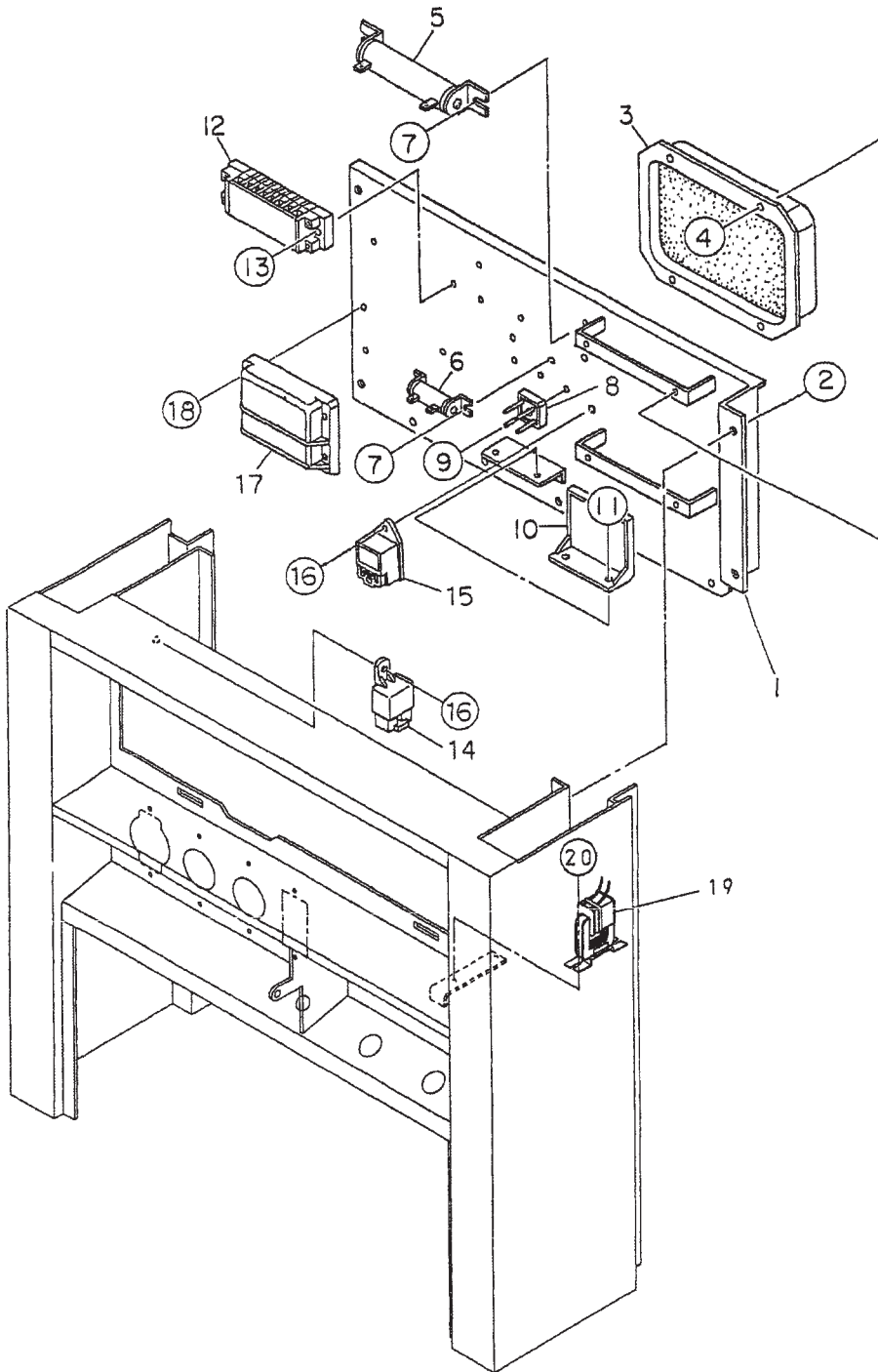
DLW-300ESA — CONTROL PANEL ASSY.

CONTROL PANEL ASSY. (DLW-300ESA)

<u>NO.</u>	<u>PART NO.</u>	<u>PART NAME</u>	<u>QTY.</u>	<u>REMARKS</u>
1	D4511302102	CONTROL PANEL	1	REPLACES P/N D4224000903
1-1	D4491400004	RUBBER SEAL	1	
2	0021806030	MACHINE SCREW	6	
3	0601840028	RHEOSTAT CURRENT REGULATOR	1	
4	0601840103	KNOB	1	
4A	0023304008	SET SCREW	2	
5	0801883003	INSULATOR	1	
6	0601840095	RHEOSTAT(ARC FORCE REGULATOR)	1	
7	0601840170	KNOB	1	
7A	0023303508	SET SCREW	2	
8	0801883003	INSULATOR	1	
9	D9924800194	DIGITAL MONITOR,DM-51	1	
10	0601800281	AC VOLTMETER, 5A 0~150/300V	1	
11	0601806472	CIRCUIT BREAKER, 40A	1	
11-1	0317900080	RUBBER SEAL	2	
12	0027204050	MACHINE SCREW	2	
13	0601810523	INDICATOR ASSY.	1	
13A	0601810207	BULB	4	
14	0027103006	MACHINE SCREW	4	
15	0601831600	ROCKER SWITCH	3	
16	0602100077	STARTER SWITCH	1	REPLACES P/N 3741059113
17	0601800682	HOUR METER	2	
18	0027403000	MACHINE SCREW	2	
18A	0207003000	HEX. NUT	2	
19	0601806423	CIRCUIT PROTECTOR, CB4 CP31EN 20A	1	
20	0601806424	CIRCUIT PROTECTOR, CB4 CP31EN 30A	1	
21	0601806425	CIRCUIT PROTECTOR, CB4 CP32EN 30A	1	
22	0027303008	MACHINE SCREW	6	
23	0601811033	RECEPTACLE, L6-30R	1	
24	0601811035	RECEPTACLE, L5-30R	1	
25	0601812565	RECEPTACLE, CS6369	1	
26	0601812598	RECEPTACLE, 5-20R	1	
27	0038704000	HEX. NUT	8	
27A	0027104016	MACHINE SCREW	8	
28	0601850290	GROMMET	1	
29	0601815109	GROUND TERMINMAL	1	
30	0801888204	OUTPUT TERMINAL, WELDING	2	
31	0801840104	INSULATOR WASHER	2	
32	0801840004	INSULATOR WASHER	2	
33	0801841204	SET WASHER, OUTPUT TERMINAL	2	
34	0801884004	WING NUT	2	
35	0039512000	HEX. NUT	4	
36	0042212000	WASHER, LOCK	4	
37	0041412000	WASHER, FLAT	6	
38	D4268304704	NOISE FILTER	1	
39	D4237100203	COVER, OUTPUT TERMINAL	1	
39A	D4237400204	RUBBER SHEET	1	
40	0821800014	COLLAR	1	
41	D9311200004	STAY RUBBER	1	
42	0016906020	HEX. HEAD BOLT	2	

DLW-300ES — ELECTRIC PARTS 1 ASSY.

ELECTRIC PARTS 1 ASSY. (DLW-300ES)



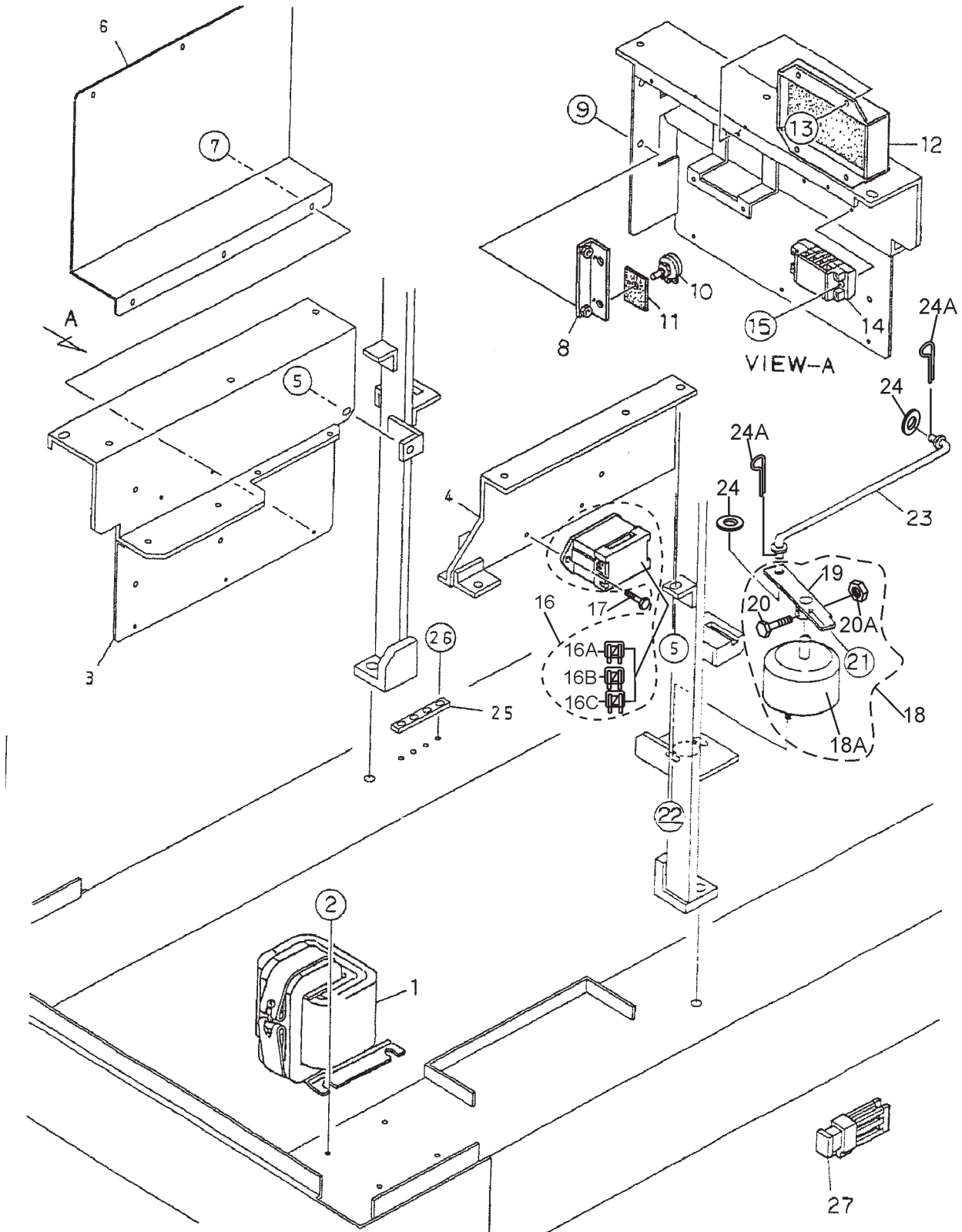
DLW-300ES — ELECTRIC PARTS 1 ASSY.

ELECTRIC PARTS 1 ASSY. (DLW-300ES)

<u>NO.</u>	<u>PART NO.</u>	<u>PART NAME</u>	<u>QTY.</u>	<u>REMARKS</u>
1	D4224200003	SET PANEL, ELECTRIC PARTS	1	
2	0016906016	HEX. HEAD BOLT	4	
3	0601820664	AUTOMATIC VOLTAGE REGULATOR	1	
4	0016905016	HEX. HEAD BOLT	4	
5	0601842437	RESISTOR, 100W 150Ω	2	
6	0601842349	RESISTOR, 20W 35Ω	1	
7	0027104016	MACHINE SCREW	6	
8	0601823204	RECTIFIER, S5VB60	3	
9	0027203016	MACHINE SCREW	3	
10	D9925800064	IDLE CONTROL UNIT,	1	
11	0027105016	MACHINE SCREW	2	
12	0601815992	TERMINAL SCREW	1	
13	0027104025	MACHINE SCREW	2	
14	0601824527	RELAY, DC12V	1	
15	0602201273	LAMP TIMER.....	1	REPLACES P/N 1569465992
16	0027105016	MACHINE SCREW	2	
17	0602200475	EMERGENCY UNIT	1	REPLACES P/N 1747260604
18	0027105020	MACHINE SCREW	4	
19	0601804211	CURRENT TRANSFORMER	1	
20	0027104010	MACHINE SCREW	2	

DLW-300ES — ELECTRIC PARTS 2 ASSY.

ELECTRIC PARTS 2 ASSY. (DLW-300ES)



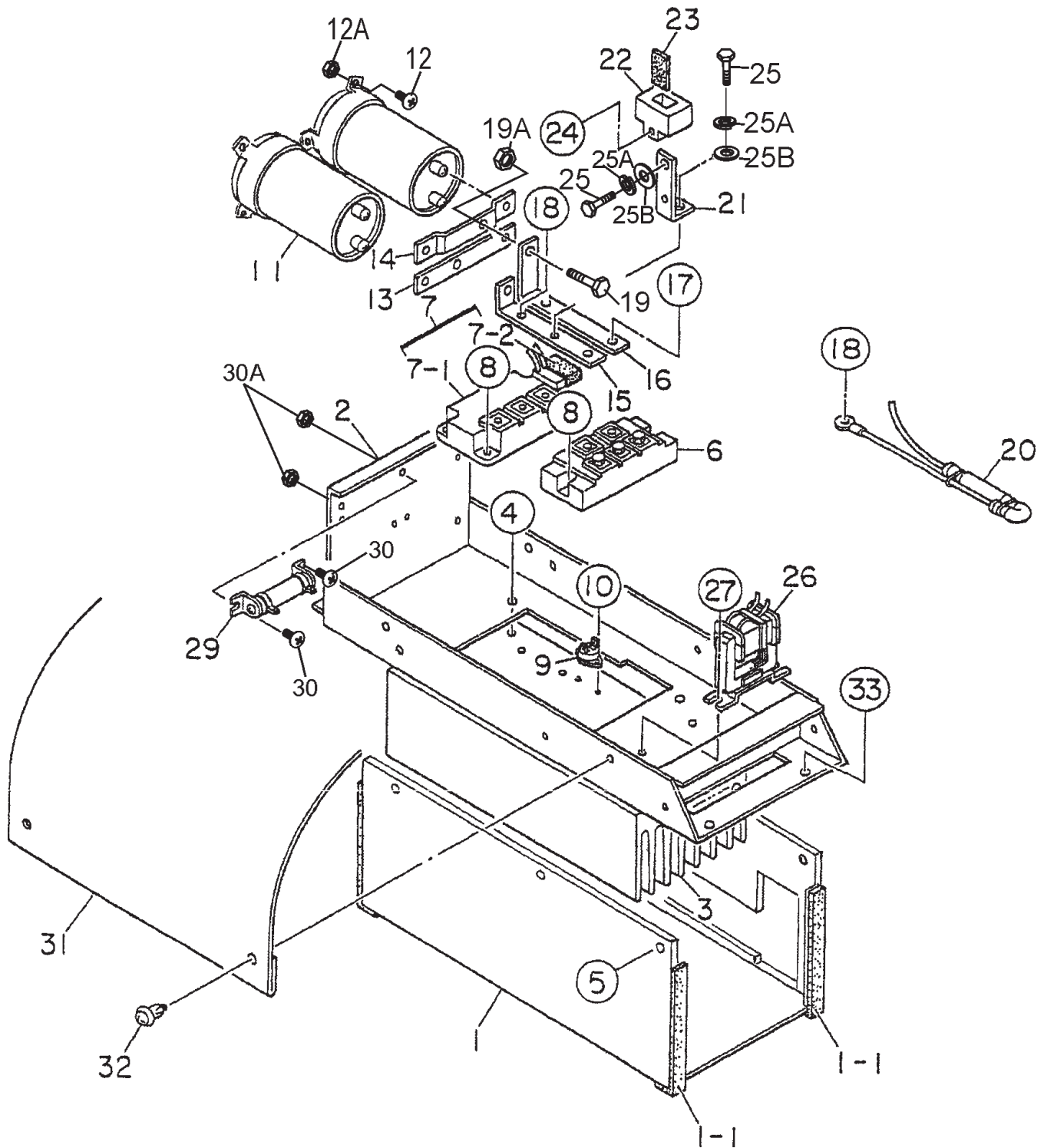
DLW-300ES — ELECTRIC PARTS 2 ASSY.

ELECTRIC PARTS 2 ASSY. (DLW-300ES)

<u>NO.</u>	<u>PART NO.</u>	<u>PART NAME</u>	<u>QTY.</u>	<u>REMARKS</u>
1	D4264500503	DC REACTOR	1	
2	0016906016	HEX.HEAD BOLT	4	
3	D4434000503	SUPPORT, FUEL TANK	1	
4	D4434000304	SUPPORT, FUEL TANK	1	
5	0016908020	HEX. HEAD BOLT	5	
6	D4261700204	BRACKET	1	
7	0016904016	HEX. HEAD BOLT	2	
8	D4262602004	VR SET PLATE	1	
9	0016906016	HEX. HEAD BOLT	2	
10	0601840211	RHEOSTAT, 10KΩ	1	
11	0601883003	INSULATOR	1	
12	D9924800024	IGBT CONTROL UNIT	1	
13	0016905016	HEX. HEAD BOLT	4	
15	0027104020	MACHINE SCREW	2	
16	8701899004	FUSE BOX	1	INCLUDES ITEMS W/#
16A#	0601806642	FUSE, 5A	4	
16B#	0601806643	FUSE, 15A	2	
16C#	0601806644	FUSE, 30A	2	
17	0016905016	HEX. HEAD BOLT	2	
18	8702636004	ROTARY SOLENOID ASSY.	1	INCLUDES ITEMS W/+
18A+	1620150404	ROTARY SOLENOID	1	
19+	8702631004	ARM, SOLENOID	1	
20+	0010106020	HEX. HEAD BOLT	1	
20A+	0030006000	HEX. NUT	1	
21+	0050403020	SPRING PIN	1	
22	0207006000	HEX. NUT	2	
23	D4355300004	GOVERNOR ROD	1	
24	0041208000	WASHER, FLAT	2	
24A	0041208000	SNAP PIN	2	
25	B1262800004	PLATE,	1	
26	0019206020	HEX. HEAD BOLT	4	
27	0601806640	FUSE, 65A	1	

DLW-300ES — ELECTRIC PARTS 3 ASSY.

ELECTRIC PARTS 3 ASSY. (DLW-300ES)



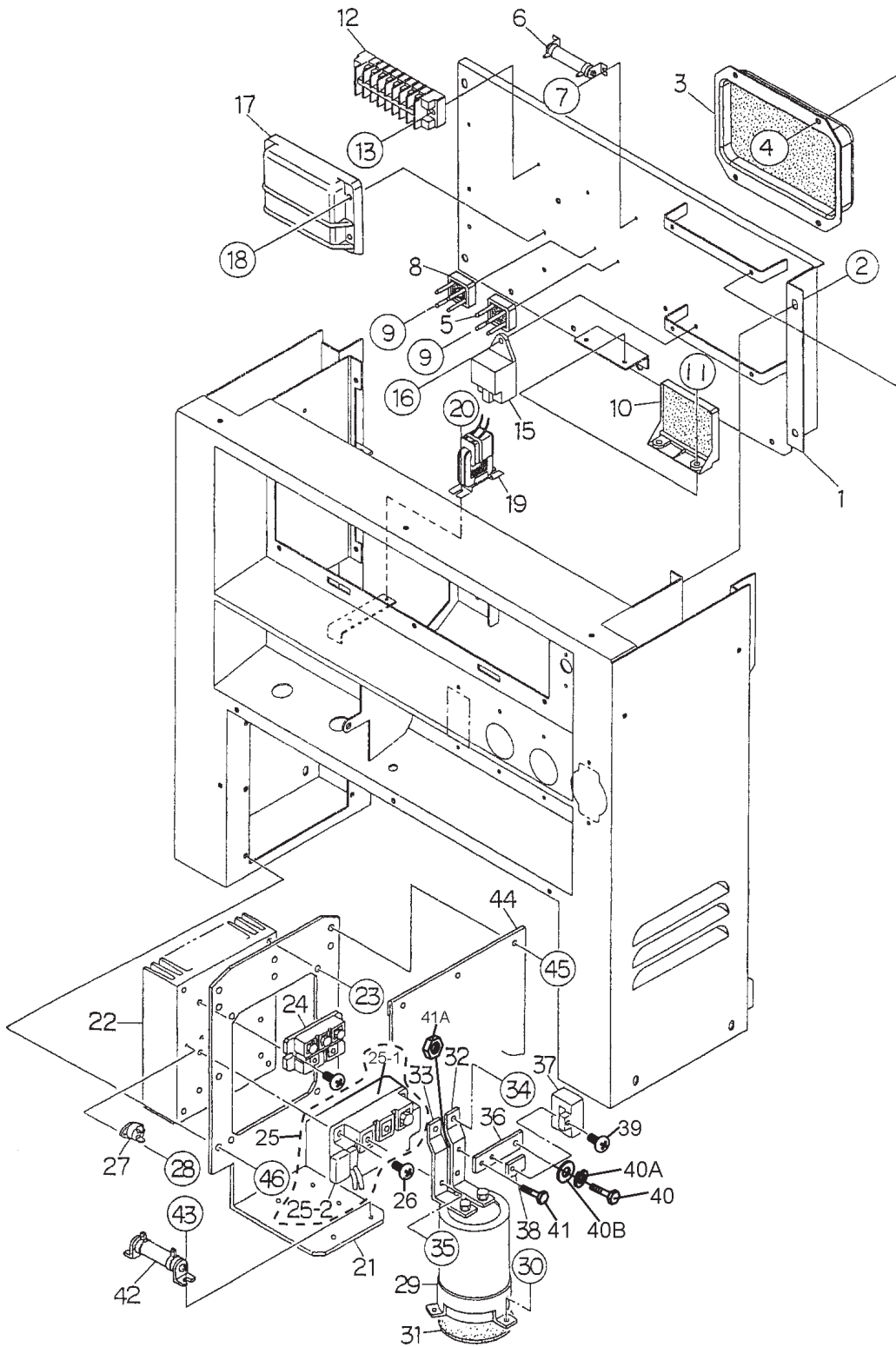
DLW-300ES — ELECTRIC PARTS 3 ASSY.

ELECTRIC PARTS 3 ASSY. (DLW-300ES)

<u>NO.</u>	<u>PART NO.</u>	<u>PART NAME</u>	<u>QTY.</u>	<u>REMARKS</u>
1	D4264500503	DC REACTOR	1	
2	0016906016	HEX.HEAD BOLT	4	
1	D4214100003	COVER, COOLING FIN	1	
1-1	0315500140	RUBBER SEAL	4	
2	D4214000103	BRACKET, COOLING FIN	1	
3	D4268304403	COOLING FIN	1	
4	0016906016	HEX.HEAD BOLT	1	
5	0016906016	HEX.HEAD BOLT	4	
6	0601823256	RECTIFIER	1	
7	D42468000403	IGBT MUDULE ASSY.	1	INCLUDES ITEMS W/#
7-1#	0601821258	IGBT MUDULE	1	
7-2#	D9925800044	PROTECTIVE UNIT	1	
8	0027105016	MACHINE SCREW	6	
9	0601831053	THERMAL SWITCH	1	
10	0021003010	MACHINE SCREW	2	
11	0601826188	CAPACITOR	2	
12	0027104010	MACHINE SCREW	6	
12A	0207204000	HEX. NUT	6	
13	D4267301304	PLATE	1	
14	D4267301204	PLATE	1	
15	D4268304104	PLATE	1	
16	D4267301404	PLATE	1	
17	0027105016	MACHINE SCREW	2	
18	0017806014	HEX.HEAD BOLT	2	
19	0017106020	HEX.HEAD BOLT	2	
19A	0207206000	HEX. NUT	2	
20	D4268600204	RESISTOR ASSY., 510kΩ	1	
21	D4268304604	PLATE	1	
22	0601804244	DC CURRENT TRANSFORMER	1	
23	D4235400004	INSULATOR	1	
24	0027104020	MACHINE SCREW	1	
25	0019008016	HEX.HEAD BOLT	2	
25A	0040008000	WASHER, LOCK	2	
25B	0042708000	WASHER, FLAT	2	
26	0601804211	CURRENT TRANSFORMER	1	
27	0027104010	MACHINE SCREW	2	
29	0601842262	RESISTOR, 20W 1KΩ	1	
30	0027104010	MACHINE SCREW	2	
30A	0207204000	HEX. NUT	2	
31	D4215600204	COVER, ELECTRIC PARTS	1	
32	0605011411	SET SCREW	4	
33	0016906016	HEX. HEAD BOLT	4	

DLW-300ESA — ELECTRIC PARTS 1 ASSY.

ELECTRIC PARTS 1 ASSY. (DLW-300ESA)



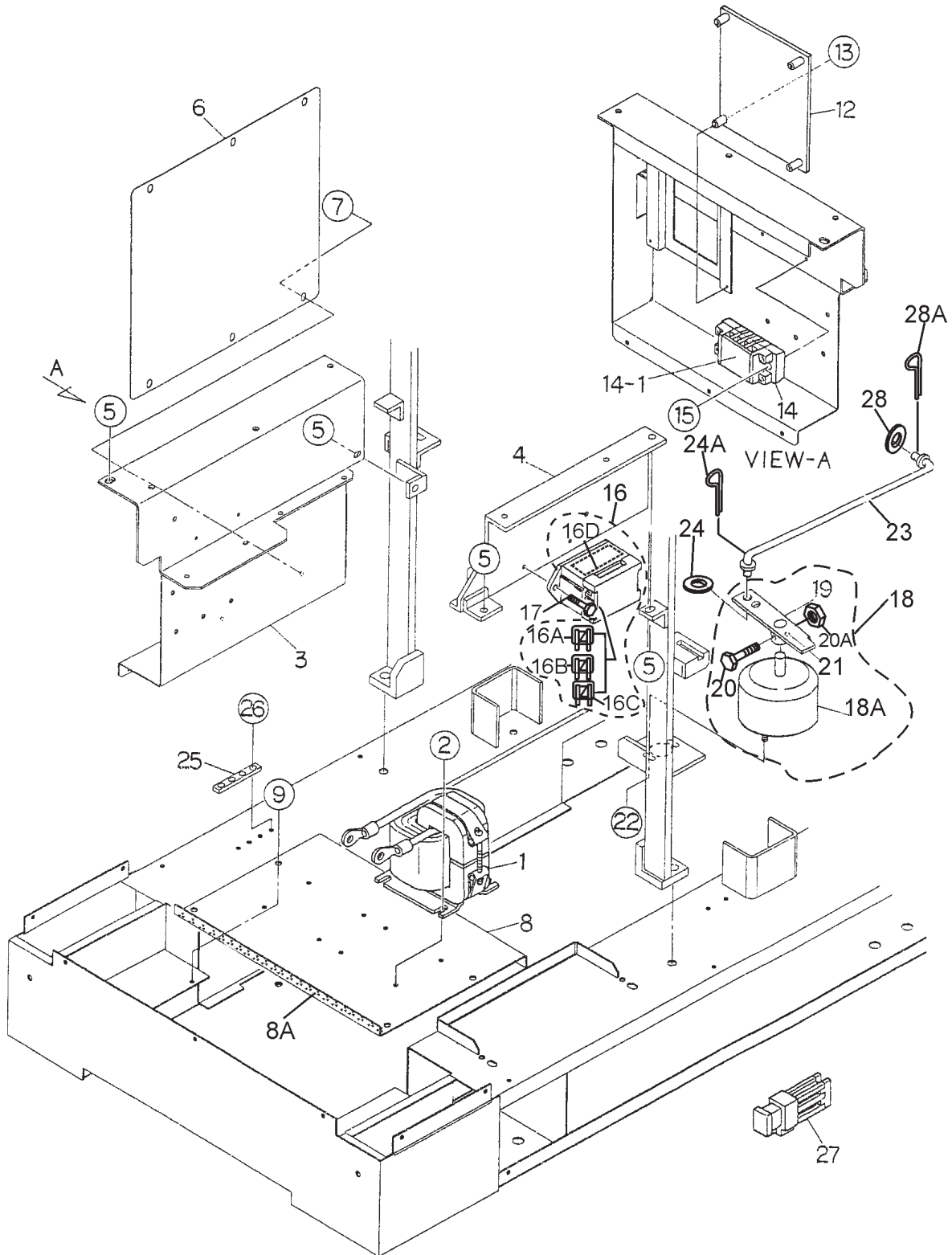
DLW-300ESA — ELECTRIC PARTS 1 ASSY.

ELECTRIC PARTS 1 ASSY. (DLW-300ESA)

<u>NO.</u>	<u>PART NO.</u>	<u>PART NAME</u>	<u>QTY.</u>	<u>REMARKS</u>
1	D4261500603	SET PANEL, ELECTRIC PARTS	1	
2	0016906015	HEX. HEAD BOLT	4	
3	0601820664	AUTOMATIC VOLTAGE REG. 5W	1	
4	0016905015	HEX. HEAD BOLT	4	
5	0601820037	RECTIFIER	1	
6	0601842349	RESISTOR, 20W 35Ω	2	
7	0027104016	MACHINE SCREW	6	
8	0601823204	RECTIFIER	3	
9	0027203016	MACHINE SCREW	3	
10	D9925800064	IDLE CONTROL UNIT	1	
11	0027105016	MACHINE SCREW	2	
12	0601815992	TERMINAL SCREW	1	
13	0027104025	MACHINE SCREW	2	
14	0601824527	RELAY, DC12V	1	
15	0602201273	LAMP TIMER	1	REPLACES P/N 1569465992
16	0027105016	MACHINE SCREW	2	
17	0602200475	EMERGENCY UNIT	1	REPLACES P/N 1747260604
18	0027105020	MACHINE SCREW	4	
19	0601804211	CURRENT TRANSFORMER	1	
20	0027104010	MACHINE SCREW	2	
21	D4261600704	BRACKET, COOLING FIN	1	
22	D4268303103	COOLING FIN	1	
23	0016906015	HEX.HEAD BOLT	8	
24	0601823228	RECTIFIER	2	
25	D4246800303	IGBT MUDULE ASSY.	2	INCLUDES ITEMS W/#
25-1#	0601821259	IGBT MUDULE	2	
25-2#	D9925800044	PROTECTIVE UNIT	2	
26	0027105016	MACHINE SCREW	12	
27	0601831053	THERMAL SWITCH	1	
28	0021003010	MACHINE SCREW	2	
29	0601826188	CAPACITOR	2	
30	0027104010	MACHINE SCREW	6	
31	D4262800704	INSULATOR RUBBER	6	
32	D4268304004	PLATE	1	
33	D4268303904	PLATE	1	
34	0017805012	HEX. HEAD BOLT	10	
35	0017806012	HEX. HEAD BOLT	4	
36	D4268301704	PLATE	2	
37	0601804202	DC CURRENT TRANS.	2	
37A	D4247704204	CORD	2	
38	D4235400004	INSULATOR	2	
39	0027104020	MACHINE SCREW	2	
40	0019006016	HEX.HEAD BOLT	2	
40A	0040006000	WASHER, LOCK	2	
40B	0042706000	WASHER, FLAT	2	
41	0016906020	HEX. HEAD BOLT	2	
41A	0207006000	HEX. HEAD NUT	2	
42	0601842467	RESISTOR, 20W 2kΩ	2	
43	0027104010	MACHINE SCREW	4	
44	D4262700304	COVER, ELECTRIC PARTS	2	
45	0605011412	SET SCREW	8	
46	0016906015	HEX.HEAD BOLT	14	

DLW-300ESA — ELECTRIC PARTS 2 ASSY.

ELECTRIC PARTS 2 ASSY. (DLW-300ESA)



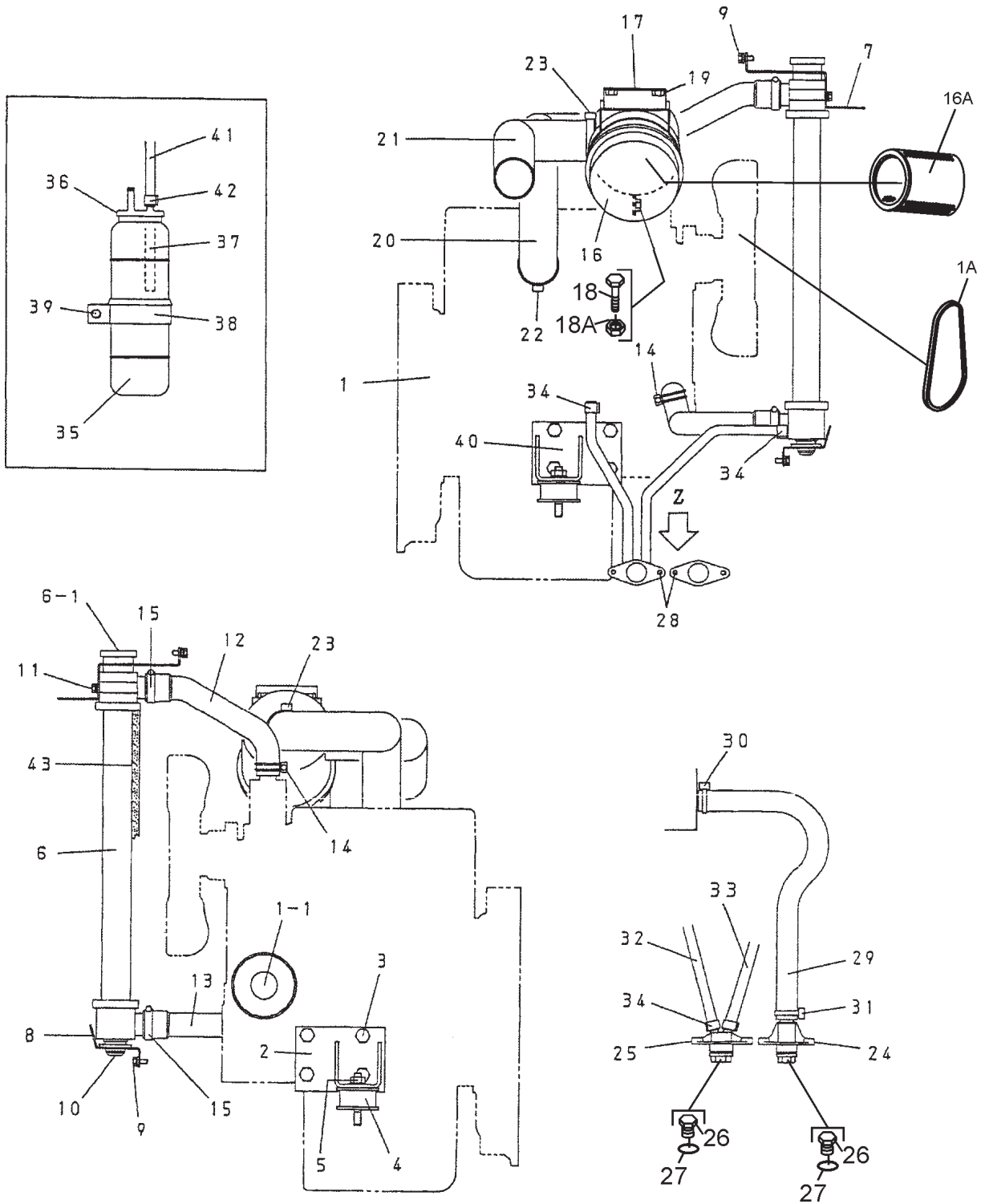
DLW-300ESA — ELECTRIC PARTS 2 ASSY.

ELECTRIC PARTS 2 ASSY. (DLW-300ESA)

<u>NO.</u>	<u>PART NO.</u>	<u>PART NAME</u>	<u>QTY.</u>	<u>REMARKS</u>
1	D5264500103	DC REACTOR	2	
2	0016906015	HEX.HEAD BOLT	8	
3	D4434000903	SUPPORT, FUEL TANK	1	
4	D4434000804	SUPPORT, FUEL TANK	1	
5	0016908020	HEX. HEAD BOLT	4	
6	D4261700404	COVER	1	
7	0016906015	HEX. HEAD BOLT	6	
8	D4261600804	BRACKET, REACTOR	1	
8A	D4497600004	LINING	1	
9	0016906015	HEX. HEAD BOLT	4	
10	0601840211	RHEOSTAT, RV20N20SB10KΩ	1	
12	D9924800204	IGBT CONTROL UNIT, IC CV-12	1	
13	0027103025	MACHINE SCREW	4	
14	0601815731	TERMINAL BOARD, KT30 4P	1	
14-1	A9522000104	DECAL: TERMINAL BOARD	1	
15	0027104020	MACHINE SCREW	2	
16	B0352500104	FUSE BOX	1	INCLUDES ITEMS W/#
16A#	0601806642	FUSE, 5A	4	
16B#	0601806643	FUSE, 15A	2	
16C#	0601806644	FUSE, 30A	2	
16D#	8700625504	DECAL, S-4936	1	
17	0016905015	HEX. HEAD BOLT	2	
18	8702636004	ROTARY SOLENOID ASSY.....	1	INCLUDES ITEMS W/+
18A+	1620150404	ROTARY SOLENOID	1	
19+	8702631004	ARM, SOLENOID	1	
20+	0010106020	HEX. HEAD BOLT	1	
20A+	0030006000	HEX. NUT	1	
21+	0050403020	SPRING PIN	1	
22	0207006000	HEX. NUT	2	
23	D4355300004	GOVERNOR ROD	1	
24	0041208000	WASHER, FLAT	1	
24A	0605010503	SNAP PIN, SSP-8	1	
25	B1262800004	PLATE,	1	
26	0019206020	HEX. HEAD BOLT	4	
27	0601806640	FUSE, 65A	1	
28	0041206000	WASHER, FLAT	1	
28A	0605010502	SNAP PIN, SSP-6	1	

DLW-300ES/ESA — ENGINE AND RADIATOR ASSY.

ENGINE AND RADIATOR ASSY.



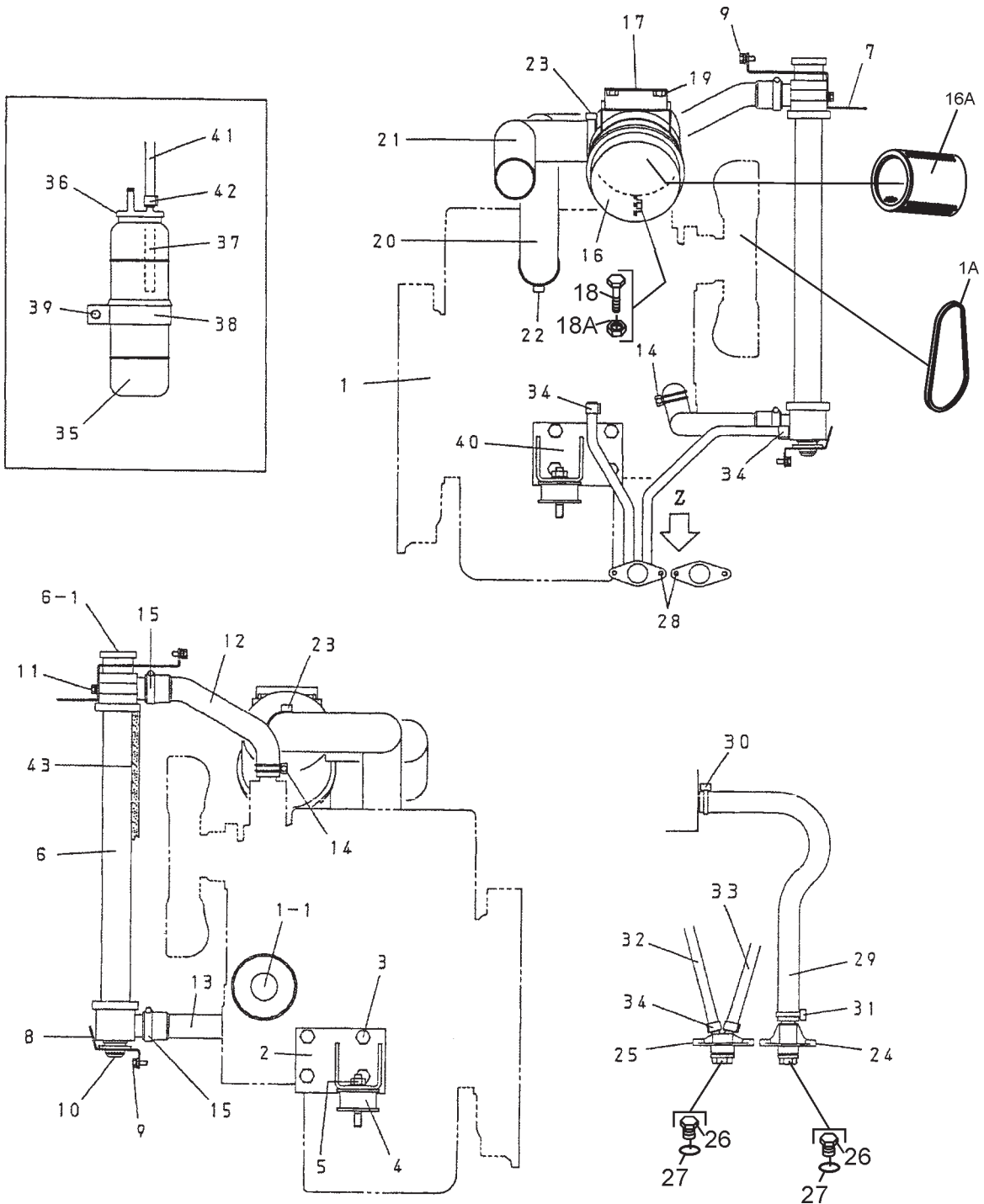
DLW-300ES/ESA — ENGINE AND RADIATOR ASSY.

ENGINE AND RADIATOR ASSY.

<u>NO.</u>	<u>PART NO.</u>	<u>PART NAME</u>	<u>QTY.</u>	<u>REMARKS</u>
1	D4924200014	ENGINE, KUBOTA D722-E2B, (DLW-300ES)	1	
1	D4924200064	ENGINE, KUBOTA D722-E3B, (DLW-300ESA)	1	
1A	0602011470	FAN BELT	1	REPLACES P/N 1747297011
1-1	0602041270	CARTRIDGE, OIL FILTER	1	REPLACES P/N 1585399171
2	D4304200304	ENGINE FOOT	1	
3	0010710020	HEX. HEAD BOLT	8	
4	0605000066	RUBBER SUSPENSION	2	
5	0207010000	HEX. NUT	2	
6	0602012779	RADIATOR	1	REPLACES P/N 2951296000
6-1	0602011064	CAP, RADIATOR (300ES)	1	REPLACES P/N 0225101990
6-1	0602011079	CAP, RADIATOR (300ESA)	1	REPLACES P/N 67130920901
7	D4311100104	BRACKET, RADIATOR	1	
8	D4312100813	BRACKET, RADIATOR	1	
9	0016906015	HEX. HEAD BOLT	5	
10	B1312600004	RUBBER MOUNT	2	
11	0016906015	HEX. HEAD BOLT	2	
12	D4311500003	RADIATOR HOSE	1	
13	D4311500103	RADIATOR HOSE	1	
14	0605515110	HOSE BAND	2	
15	0605515134	HOSE BAND	2	
16	0602046266	AIR CLEANER, (DLW-300ES)	1	
16	0602046266	AIR CLEANER, (DLW-300ESA)	1	
16A	0602046391	ELEMENT, AIR CLEANER, (DLW-300ES)	1	
16A	0602046391	ELEMENT, AIR CLEANER, (DLW-300ESA)	1	
17	D4374200203	BRACKET, AIR CLEANER, (DLW-300ES)	1	
17	8712031503	BRACKET, AIR CLEANER, (DLW-300ESA)	1	

DLW-300ES/ESA — ENGINE AND RADIATOR ASSY.

ENGINE AND RADIATOR ASSY.



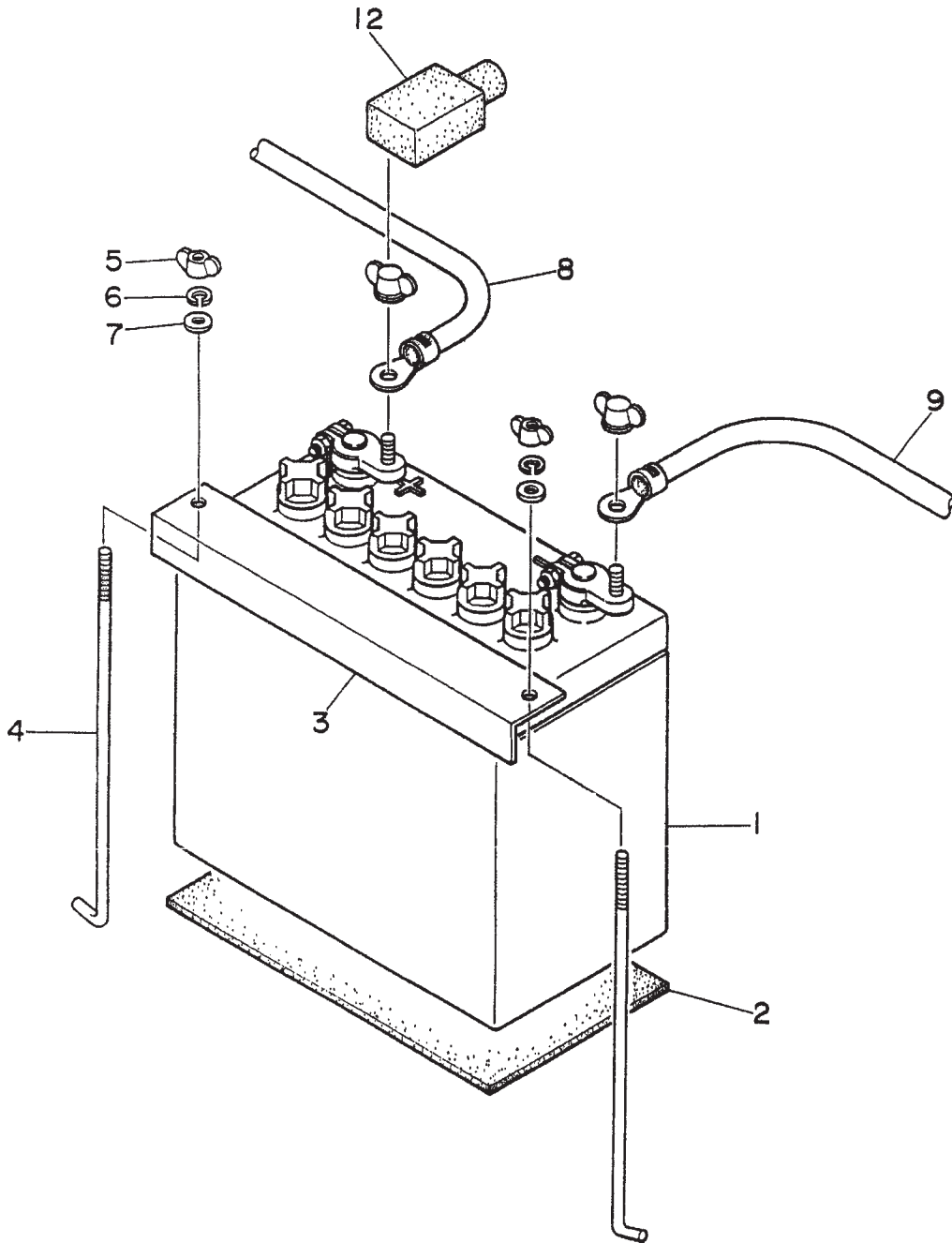
DLW-300ES/ESA — ENGINE AND RADIATOR ASSY.

ENGINE AND RADIATOR ASSY.

<u>NO.</u>	<u>PART NO.</u>	<u>PART NAME</u>	<u>QTY.</u>	<u>REMARKS</u>
18	0016908025	HEX.HEAD BOLT	1	
18A	0207008000	HEX. NUT, (DLW-300ES)	1	
19	0016908020	HEX.HEAD BOLT	2	
20	7812036404	HOSE, AIR CLEANER, (DLW-300ES)	1	
20	8702037003	HOSE, AIR CLEANER, (DLW-300ESA)	1	
21	8702037003	HOSE, AIR CLEANER, (DLW-300ES)	1	
21	7812036404	HOSE, AIR CLEANER, (DLW-300ESA)	1	
22	0605515006	HOSE BAND	1	
23	0605515021	HOSE BAND	2	
24	1502025103	DRAIN JOINT, OIL	1	
25	1622014103	DRAIN JOINT, WATER	1	
26	0802011104	PLUG	2	
27	0150000018	O-RING	2	
28	0016906020	HEX.HEAD BOLT, (DLW-300ES)	4	
28	0016906015	HEX.HEAD BOLT, (DLW-300ESA)	4	
29	D4321100003	DRAIN HOSE	1	
30	0605515073	HOSE BAND	1	
31	0605515158	HOSE BAND	1	
32	0199900390	DRAIN HOSE	1	
33	0199900660	DRAIN HOSE	1	
34	0605515094	HOSE BAND	4	
35	0802081403	RESERVE TANK	1	
36	0802081104	CAP, RESERVE TANK	1	
37	0199100215	HOSE	1	
38	6262082304	BRACKET, RESERVE TANK	1	
39	0016906025	HEX.HEAD BOLT, (DLW-300ES)	1	
39	0016906015	HEX.HEAD BOLT, (DLW-300ESA)	1	
40	D4304200204	ENGINE FOOT	1	
41	0199900500	HOSE	1	
42	0605515094	HOSE BAND	2	
43	0220300375	RUBBER SEAL	2	

DLW-300ES/ESA — BATTERY ASSY.

BATTERY ASSY.



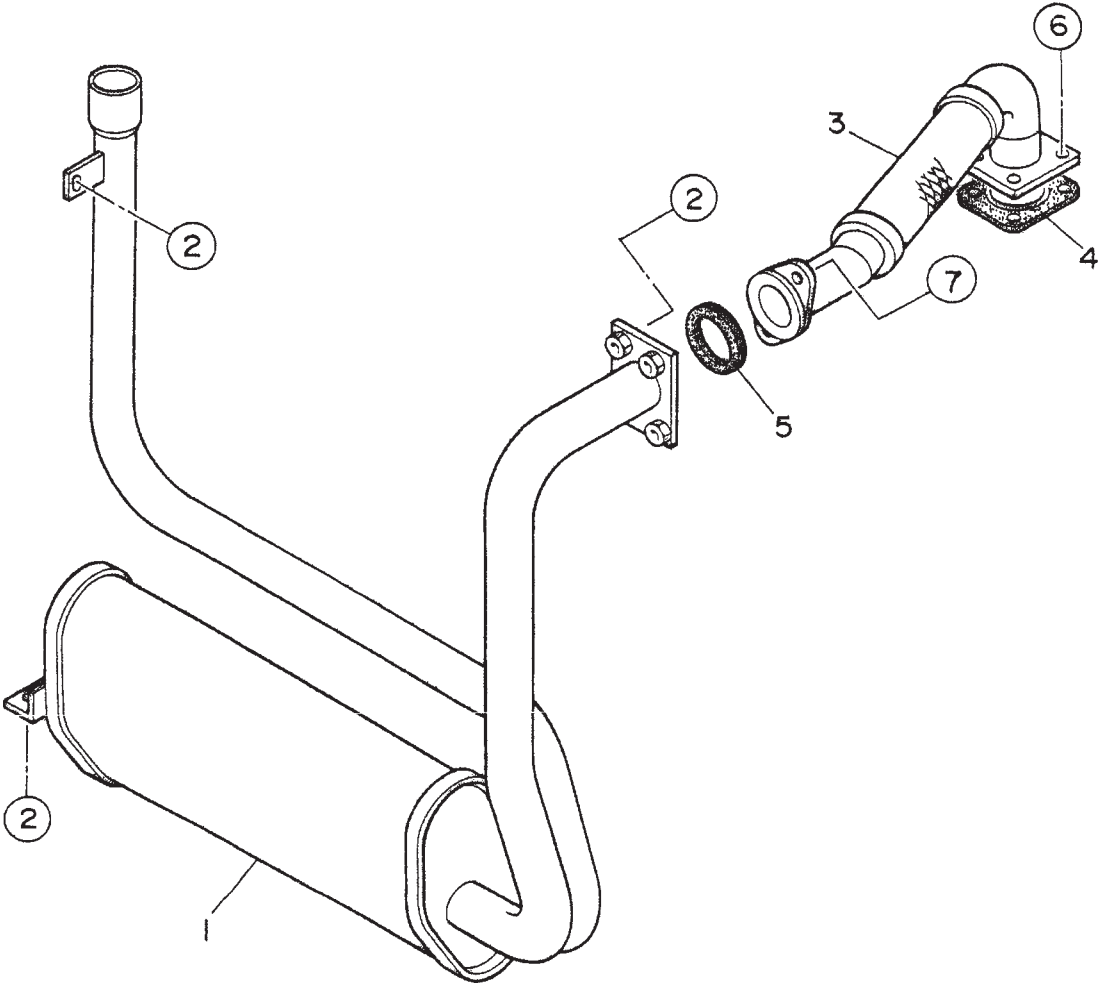
DLW-300ES/ESA — BATTERY ASSY.

BATTERY ASSY.

<u>NO.</u>	<u>PART NO.</u>	<u>PART NAME</u>	<u>QTY.</u>	<u>REMARKS</u>
1	0169105524	BATTERY, 55B24L (DLW-300ES)	1	
1	0166105524	BATTERY, 55B24L (DLW-300ESA)	1	
2	8722251004	BATTERY SHEET	1	
3	7552253004	BATTERY BAND	1	
4	7872251004	BATTERY BOLT	2	
5	0037806000	WING NUT	2	
6	0040006000	WASHER, LOCK	2	
7	0041606000	WASHER, FLAT	2	
8		BATTERY CABLE	1	PURCHASE LOCALLY
9		BATTERY CABLE	1	PURCHASE LOCALLY
12	0602220600	TERMINAL CAP, TC-7R	1	

DLW-300ES/ESA — MUFFLER ASSY.

MUFFLER ASSY.



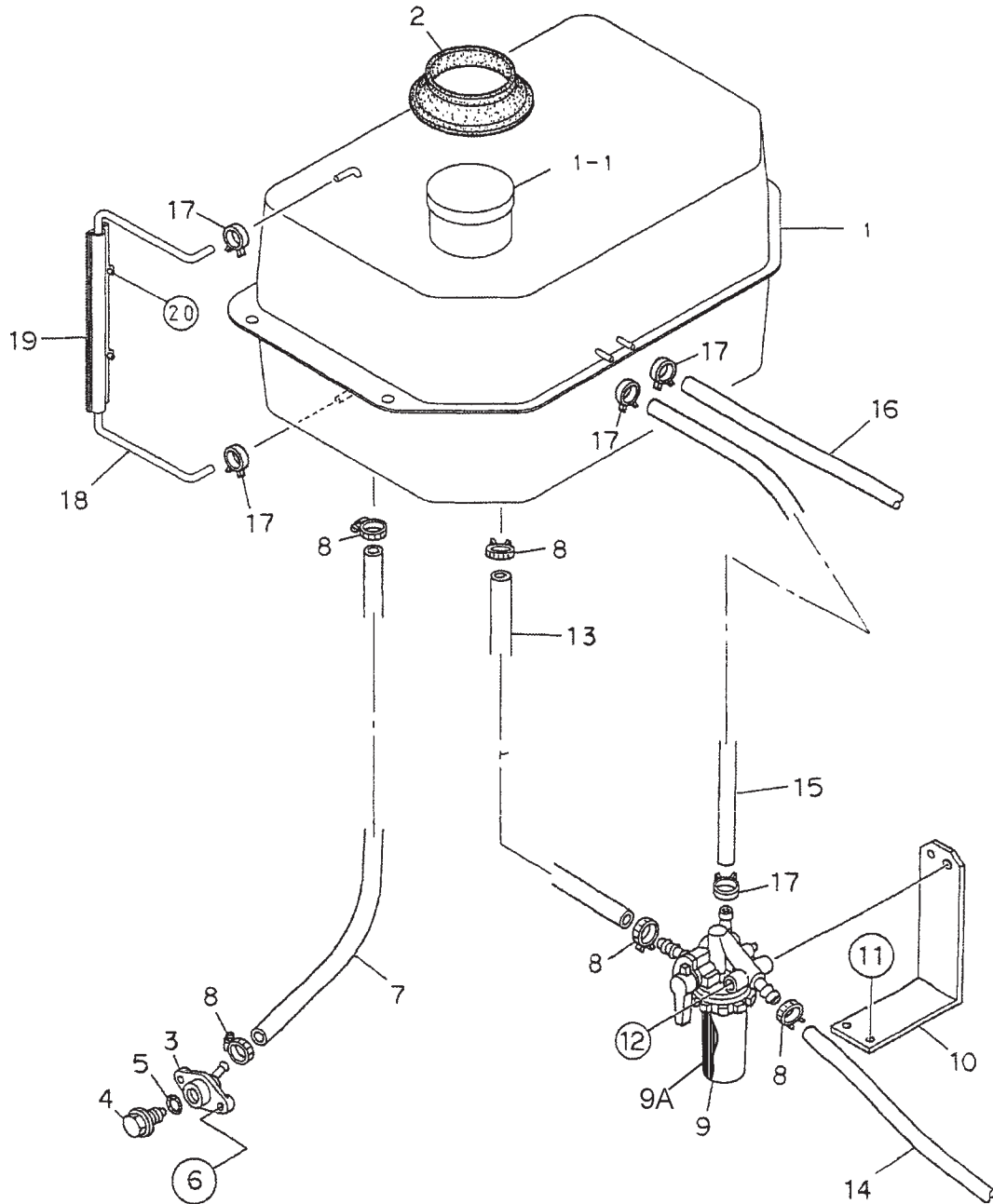
DLW-300ES/ESA — MUFFLER ASSY.

MUFFLER ASSY.

<u>NO.</u>	<u>PART NO.</u>	<u>PART NAME</u>	<u>QTY.</u>	<u>REMARKS</u>
1	D4331000003	MUFFLER	1	
2	0016908020	HEX.HEAD BOLT	5	
3	D4334000003	EXHAUST PIPE	1	
4	0602320153	GASKET	1	REPLACES P/N 1526312371
5	D9304000004	GASKET	1	
6	0207008000	HEX. NUT	4	
7	0016908030	HEX.HEAD BOLT	2	

DLW-300ES/ESA — FUEL TANK ASSY.

FUEL TANK ASSY.



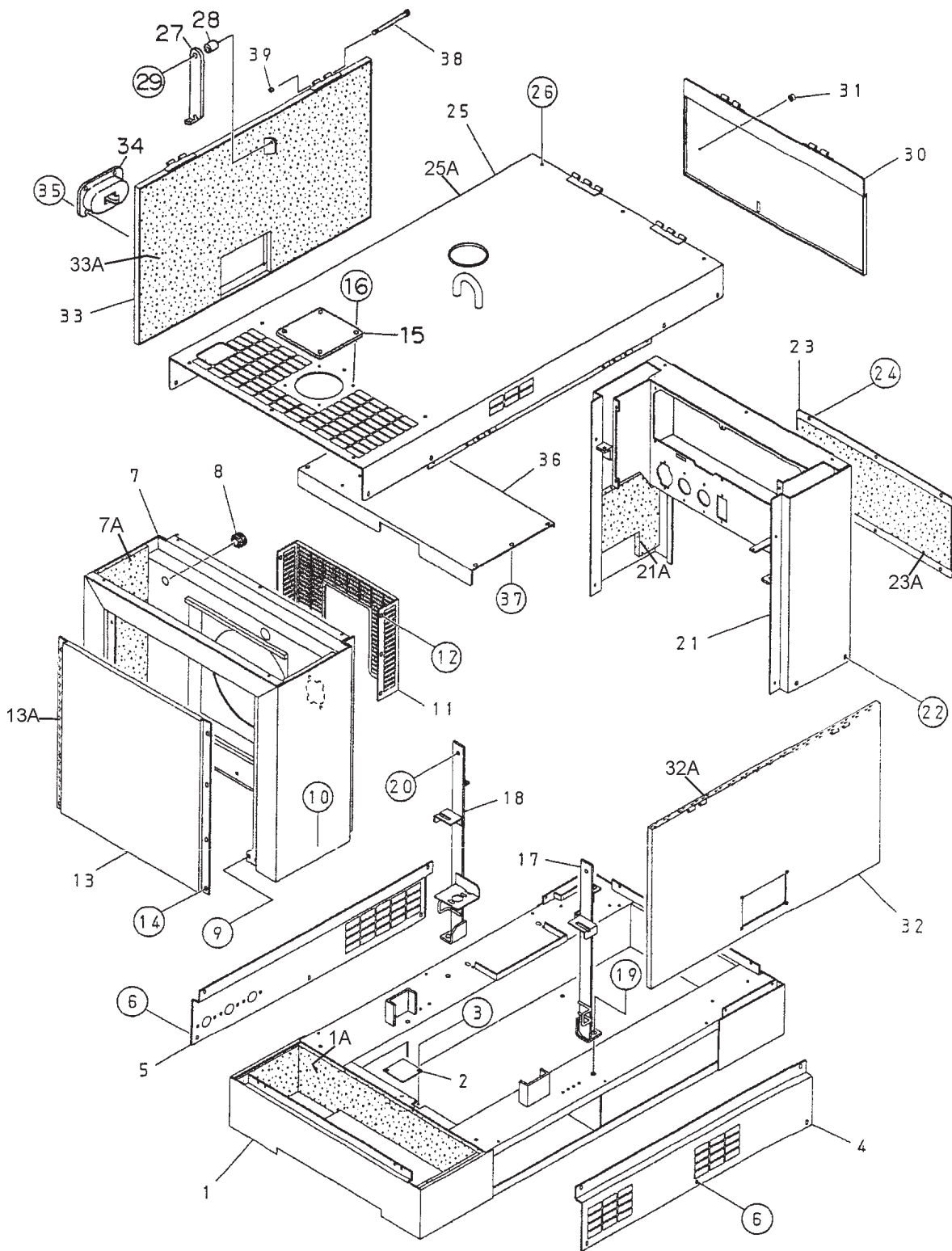
DLW-300ES/ESA — FUEL TANK ASSY.

FUEL TANK ASSY.

<u>NO.</u>	<u>PART NO.</u>	<u>PART NAME</u>	<u>QTY.</u>	<u>REMARKS</u>
1	D4364000003	FUEL TANK, (DLW-300ES)	1	INCLUDES ITEMS W/*
1	D4364000203	FUEL TANK, (DLW-300ESA)	1	INCLUDES ITEMS W/#
1-1*#	0810100813	CAP AND FILTER, FUEL TANK	1	
2	B9312400004	RUBBER SEAL	1	
3	7812014003	DRAIN JOINT	1	
4	0802011104	PLUG	1	
5	0150000018	O-RING	1	
6	0016906020	HEX. HEAD BOLT	2	
6	0016906015	HEX. HEAD BOLT	2	
7	0199901100	DRAIN HOSE	1	
8	0605515094	HOSE BAND	6	
9	0602042460	FUEL FILTER	1	REPLACES P/N 1553143012
9A	1523143560	ELEMENT, FUEL FILTER	1	REPLACES P/N 0602042171
10	D3368700204	BRACKET, FUEL FILTER	1	
11	0016906016	HEX.HEAD BOLT, (DLW-300ES)	1	
11	0016906015	HEX.HEAD BOLT, (DLW-300ESA)	1	
12	0016908065	HEX.HEAD BOLT, (DLW-300ES)	2	
12	0016908070	HEX.HEAD BOLT, (DLW-300ESA)	2	
13	0199900300	SUCTION HOSE	1	
14	0199900400	SUCTION HOSE	1	
15	0199700400	RETURN HOSE	1	
16	0199700260	RETURN HOSE	1	
17	0605515093	HOSE BAND	6	
18	0264201070	HOSE, FUEL GAUGE	1	
19	7815511203	BRACKET, FUEL GAUGE	1	
20	0028104012	MACHINE SCREW	2	
21	0016908020	HEX. HEAD BOLT, (DLW-300ESA)	4	

DLW-300ES/ESA — ENCLOSURE ASSY.

ENCLOSURE ASSY.



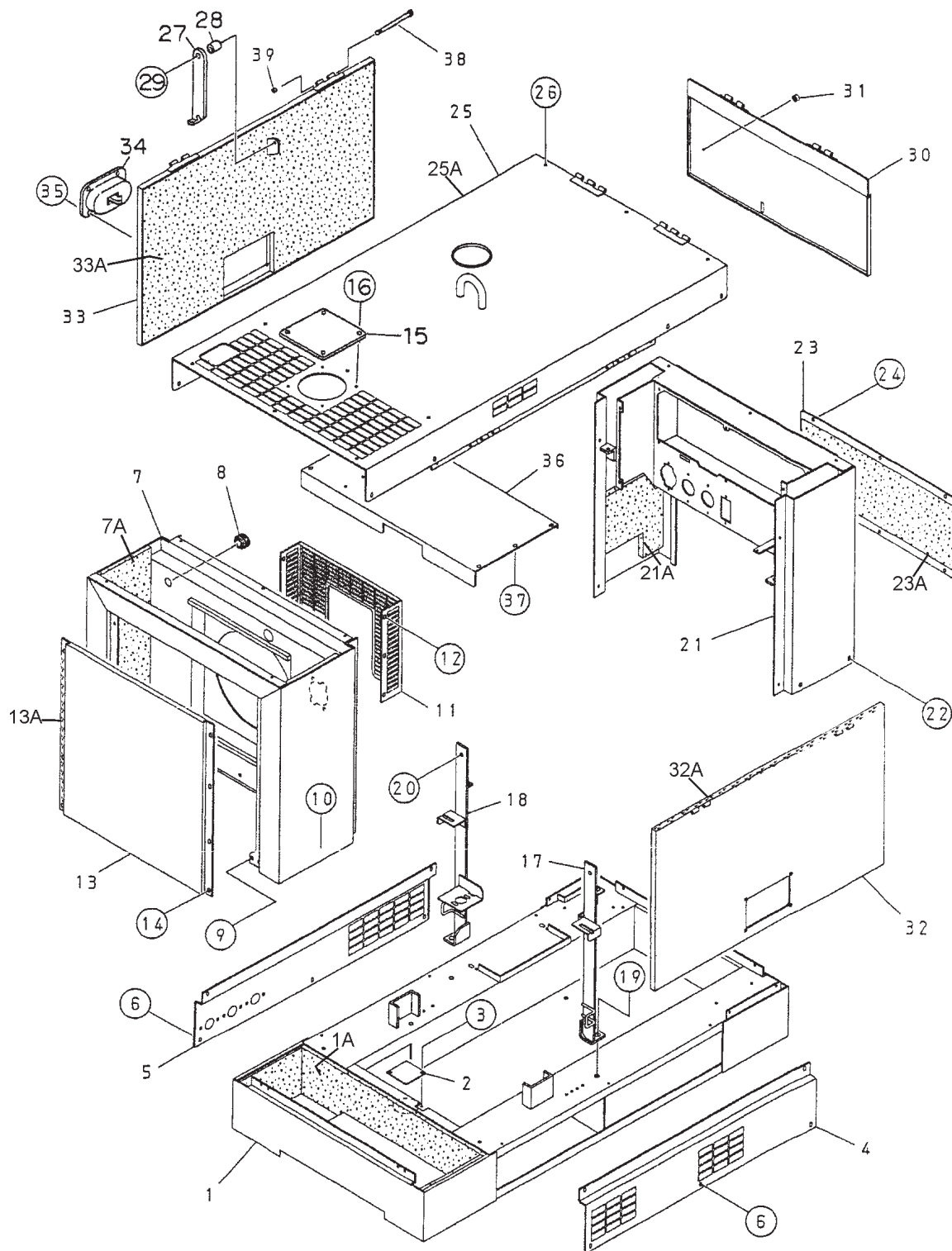
DLW-300ES/ESA — ENCLOSURE ASSY.

ENCLOSURE ASSY.

<u>NO.</u>	<u>PART NO.</u>	<u>PART NAME</u>	<u>QTY.</u>	<u>REMARKS</u>
1	D4414000302	BASE	1	
1	D4414000702	BASE	1	
1A	D4494000403	LINING	1	
1A	D4494000903	LINING	1	
2	D34114800104	FLOOR PANEL	1	
3	0016906016	HEX. HEAD BOLT	2	
3	0016906015	HEX. HEAD BOLT	2	
4	D4414300603	SPLASHER PANEL	1	
4	D4414300603	SPLASHER PANEL	1	
5	D4414300303	SPLASHER PANEL	1	
5	D4414300303	SPLASHER PANEL	1	
6	0016906016	HEX. HEAD BOLT	16	
6	0016906016	HEX. HEAD BOLT	16	
7	D4424000602	FRONT FRAME	1	
7A	D4494100303	LINING	2	
8	0601850239	GROMMET	1	
9	0016906016	HEX. HEAD BOLT	2	
9	0016906015	HEX. HEAD BOLT	2	
10	0016908020	HEX. HEAD BOLT	2	
11	D4311200103	FAN GUARD	1	
12	0016906016	HEX. HEAD BOLT	6	
12	0016906015	HEX. HEAD BOLT	6	
13A	D4494100303	LINING	1	
14	0016906016	HEX. HEAD BOLT	8	
14	0016906015	HEX. HEAD BOLT	8	
15	D4425200804	COVER, RADIATORAP	1	
16	0016906016	HEX. HEAD BOLT	4	
16	0016906015	HEX. HEAD BOLT	4	
17	D4434300403	HANGER	1	
17	D4434300803	HANGER	1	
18	D4434300503	HANGER	1	
19	0012312030	HEX. HEAD BOLT	2	
20	0012312030	HEX. HEAD BOLT	2	

DLW-300ES/ESA — ENCLOSURE ASSY.

ENCLOSURE ASSY.



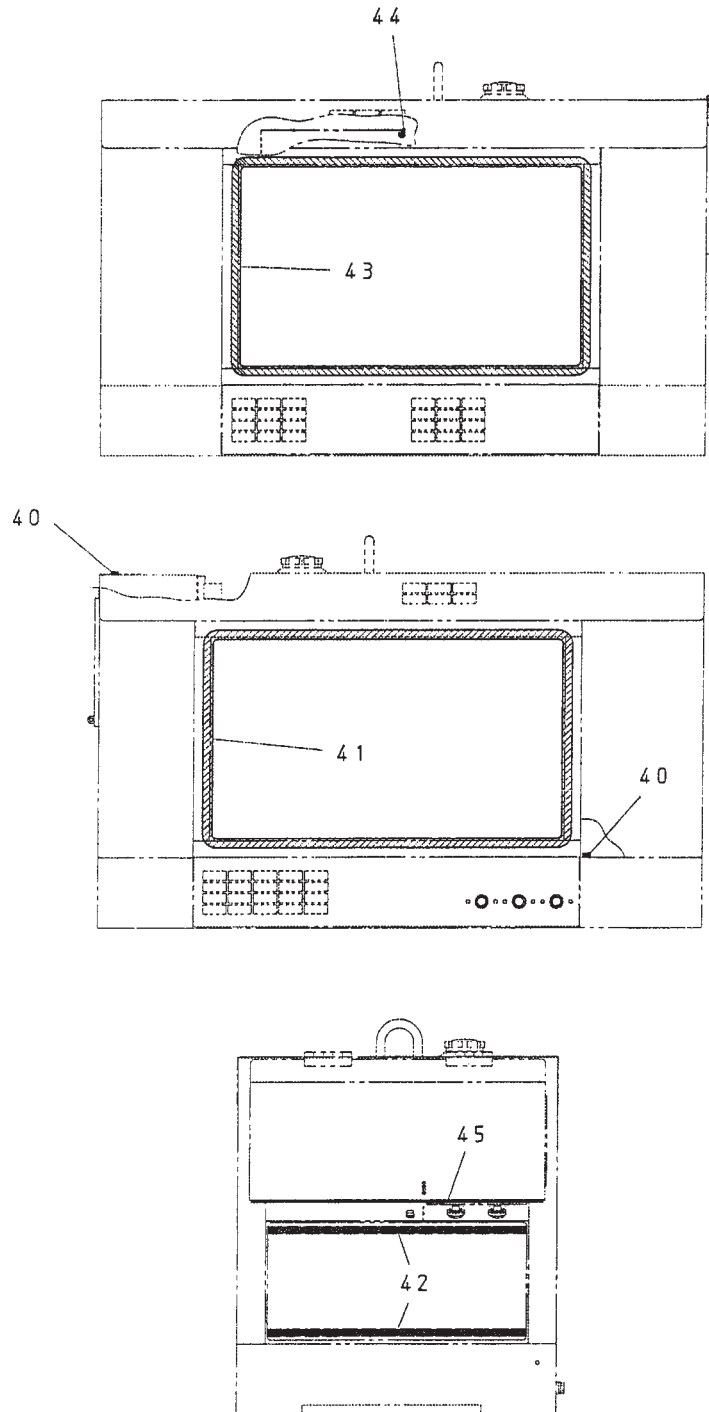
DLW-300ES/ESA — ENCLOSURE ASSY.

ENCLOSURE ASSY.

<u>NO.</u>	<u>PART NO.</u>	<u>PART NAME</u>	<u>QTY.</u>	<u>REMARKS</u>
21	D4477000802	REAR FRAME	1	
21	D4477000802	REAR FRAME	1	
21A	D4494300604	LINING	1	
22	0016906016	HEX. HEAD BOLT	4	
22	0016906015	HEX. HEAD BOLT	4	
23	D4444300404	COVER, REAR FRAME	1	
23	D4444300604	COVER, REAR FRAME	1	
23A	D4494300504	LINING	1	
23A	D4494301404	LINING	1	
24	0016906016	HEX. HEAD BOLT	6	
24	0016906015	HEX. HEAD BOLT	8	
25	D4464000302	ROOF PANEL	1	
25	D4464000502	ROOF PANEL	1	
25A	D4494500204	LINING	1	
25A	D4494500704	LINING	1	
26	0016906016	HEX. HEAD BOLT	17	
26	0016906015	HEX. HEAD BOLT	21	
27	7835186014	DOOR STAY	2	
28	7835088004	COLLAR	2	
29	0017108030	HEX. HEAD BOLT	1	
29	0017108030	HEX. HEAD BOLT	2	
30	D4444200203	REAR DOOR	1	
30	D4444200303	REAR DOOR	1	
31	0601851613	RUBBER STOPPER	2	
32	D4454000503	SIDE DOOR	1	
32A	D4494400604	LINING	1	
33	D4454000503	SIDE DOOR	1	
33	D4454000903	SIDE DOOR	1	
33A	D4494400604	LINING	1	
33A	D4494401604	LINING	1	
34	B9114000002	DOOR HANDLE	2	
35	0021806020	MACHINE SCREW	8	
36	D4464400003	DUCT, (DLW-300ES)	1	
37	0016906016	HEX.HEAD BOLT, (DLW-300ES)	6	
38	0810014704	PIN	6	
39	0080200004	SNAP RING	6	

DLW-300ES/ESA — RUBBER SEAL ASSY.

RUBBER SEAL ASSY.



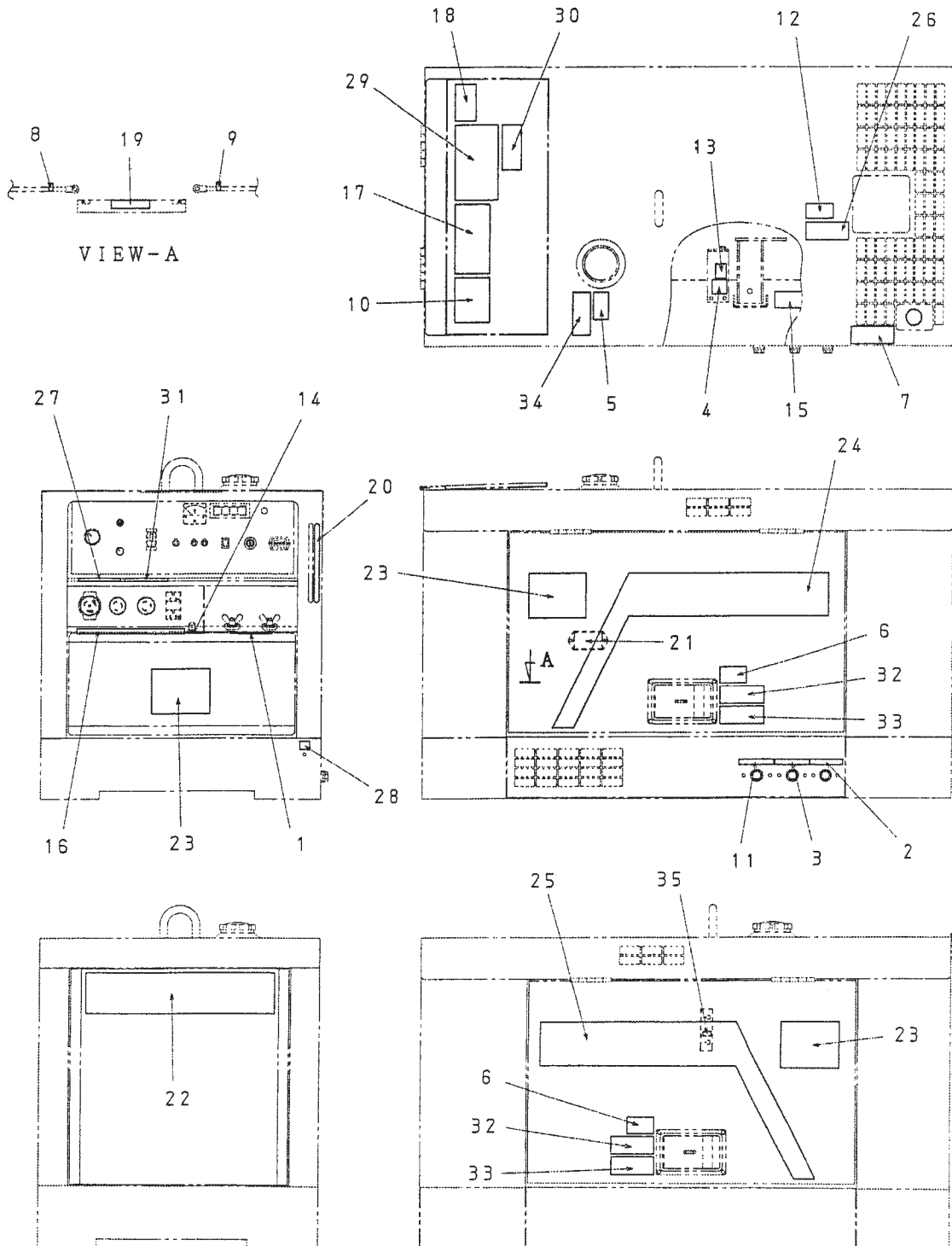
DLW-300ES/ESA — RUBBER SEAL ASSY.

RUBBER SEAL ASSY.

<u>NO.</u>	<u>PART NO.</u>	<u>PART NAME</u>	<u>QTY.</u>	<u>REMARKS</u>
40	0314900680	RUBBER SEAL	2	
41	0314602390	RUBBER SEAL, (DLW-300ES)	1	
41	0314602370	RUBBER SEAL, (DLW-300ESA)	1	
42	0314900550	RUBBER SEAL, (DLW-300ES)	2	
42	0228300560	RUBBER SEAL, (DLW-300ESA)	2	
43	0314602345	RUBBER SEAL	1	
44	0314900620	RUBBER SEAL, (DLW-300ES)	1	
44	0228300215	RUBBER SEAL, (DLW-300ESA)	2	
45	0226900620	RUBBER SEAL	1	

DLW-300ES/ESA — NAME PLATE AND DECALS ASSY.

NAME PLATE AND DECALS ASSY.



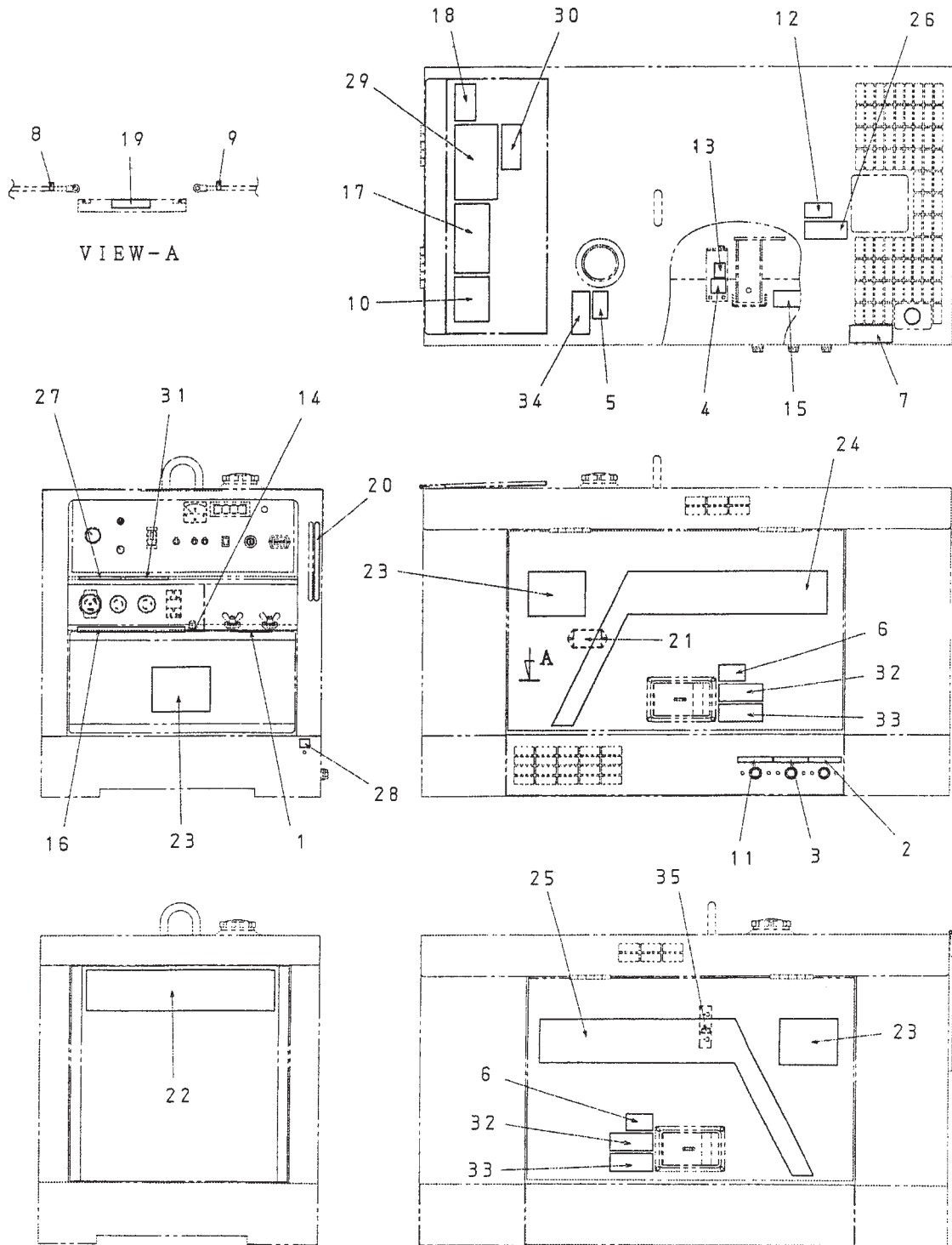
DLW-300ES/ESA — NAME PLATE AND DECALS ASSY.

NAME PLATE AND DECALS ASSY.

<u>NO.</u>	<u>PART NO.</u>	<u>PART NAME</u>	<u>QTY.</u>	<u>REMARKS</u>
1	0800690804	DECAL : WELDING OUTPUT TERMINAL	1	S-1238A
2	1630645004	DECAL : OIL DRAIN	1	S-1403
3	1630647004	DECAL: COOLANT DRAIN	1	S-1404
4	1630610404	DECAL : CAUTION, FUEL FILTER	1	S-1406
5	1630680004	DECAL: USE #2 DIESEL FUEL ONLY	1	S-1408
			DLW-300ES
5	B9504501204	DECAL: USE #2 DIESEL FUEL ONLY	1	S-1408
			DLW-300ESA
6	1630610504	DECAL : CAUTION, DOOR	2	S-1409
7	8700611804	DECAL : WARNING, EXHAUST GAS	1	S-4984
8	0800689404	DECAL : +	1	S-2090
9	0800689504	DECAL : -	1	S-2091
10	6390671104	DECAL : IMPORTANT "CHECK DAILY"	1	S-2377
11	7810680104	DECAL : FUEL DRAIN	1	S-3060
12	7810680204	DECAL : COOLING WATER	1	S-3061
13	1630680104	DECAL : FUEL COCK	1	S-1407
14	7670624004	DECAL : GROUND FOR G. F. C. I	1	S-3821
			DLW-300ES
14	D4551002403	DECAL : CONTROL PANEL	1	DLW-300ESA
15	8700611524	DECAL : WARNING, OIL REFUELING	1	S-4926B
16	8700620113	DECAL : AC POWER OUTPUT	1	S-4935A
16	8700620113	DECAL : AC POWER OUTPUT	1	D55100170
			DLW-300ESA
17	8700611613	DECAL : OPERATING PROCEDURE	1	S-4937A
18	0820610404	DECAL : WARNING	1	S-3627
19	0820650604	DECAL : CAUTION, BATTERY (YUASA)	1	ST-CL7B
20	8700615204	DECAL : FUEL GAUGE	1	S-4638

DLW-300ES/ESA — NAME PLATE AND DECALS ASSY.

NAME PLATE & DECALS ASSY.



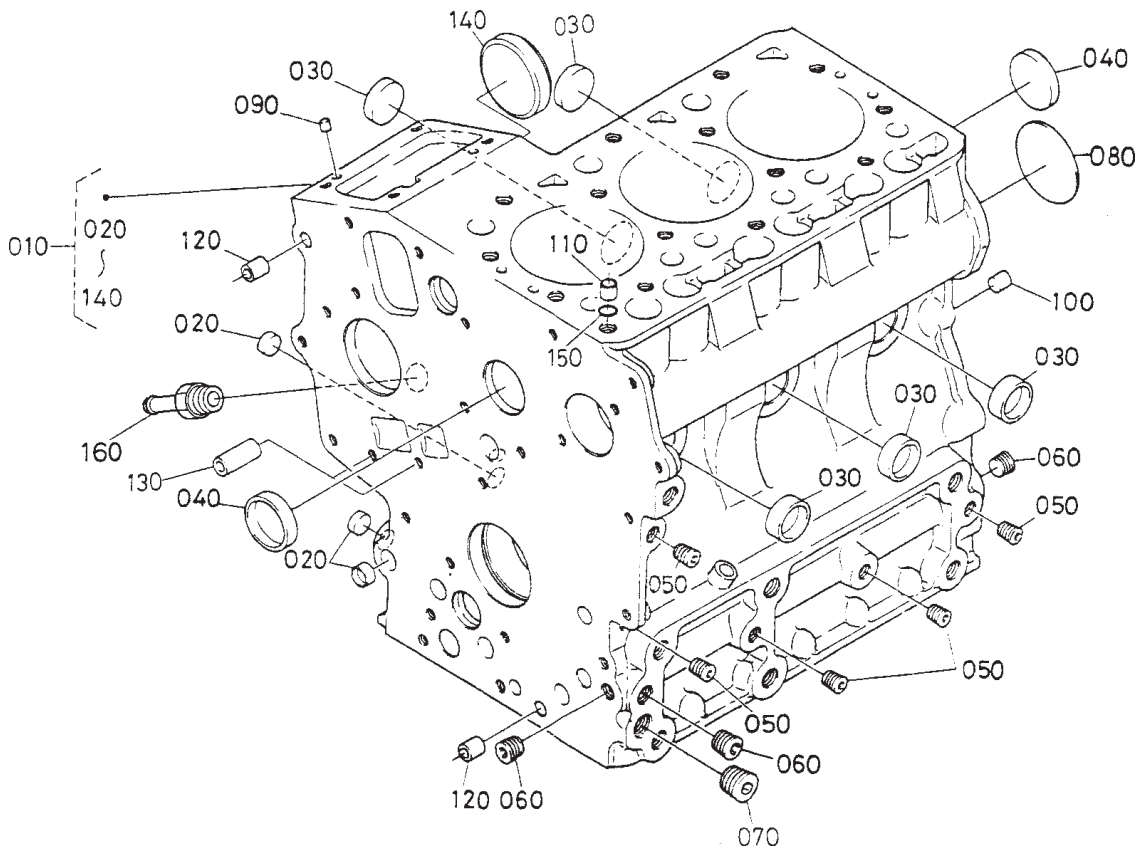
DLW-300ES/ESA — NAME PLATE AND DECALS ASSY.

NAME PLATE & DECALS ASSY.

<u>NO.</u>	<u>PART NO.</u>	<u>PART NAME</u>	<u>QTY.</u>	<u>REMARKS</u>
21	8700625504	DECAL : FUSE BOX	1	S-4938 DLW-300ES
22	D4562000502	STRIPE :	1	D46200050
22	D4561000302	DECAL : STICKER	1	D46100030
23	D3561000104	STRIPE : MQ POWER	3	
24	D4561100303	STRIPE : A	1	DLW-300ES
24	D4561100403	STRIPE : A	1	DLW-300ESA
25	D4561100403	STRIPE : B	1	DLW-300ES
25	D4561100303	STRIPE : A	1	DLW-300ESA
26	B9514100104	DECAL : RADIATOR CAP	1	B91410010
27	8700611904	DECAL : WARNING ELECTRIC SHOCK HAZARD	1	S-4985
28	0800628504	DECAL : GROUND	1	S-1123
29	D9512100203	DECAL : WARNING (ARC)	1	B91210020
30	D9522100204	DECAL : WARNING (PROPOTITION 65)	1	D92210020
31	B9511100304	DECAL : WARNING	1	B91110030
32	B9504000304	DECAL : CAUTION HOT PARTS	1	B09400030
33	B9504000404	DECAL : WARNING MOVING PARTS	1	B90400040
34	B9504500004	DECAL : DIESEL FUEL	1	B90450000
35	D4551001204	DECAL : OUTPUT LIMIT	1	D45100120 DLW-300ES
35	D4551002304	DECAL : OUTPUT LIMIT	1	D45100120 DLW-300ESA
36	D9531100004	DECAL : DANGER ELECTROCUTION	1	D93110000 DLW-300ESA
37	A9504000014	DECAL : WARNING, EXHAUST GAS	1	A90400001 DLW-300ESA

KUBOTA D722E2B/E3B — CRANKCASE ASSY.

CRANKCASE ASSY.



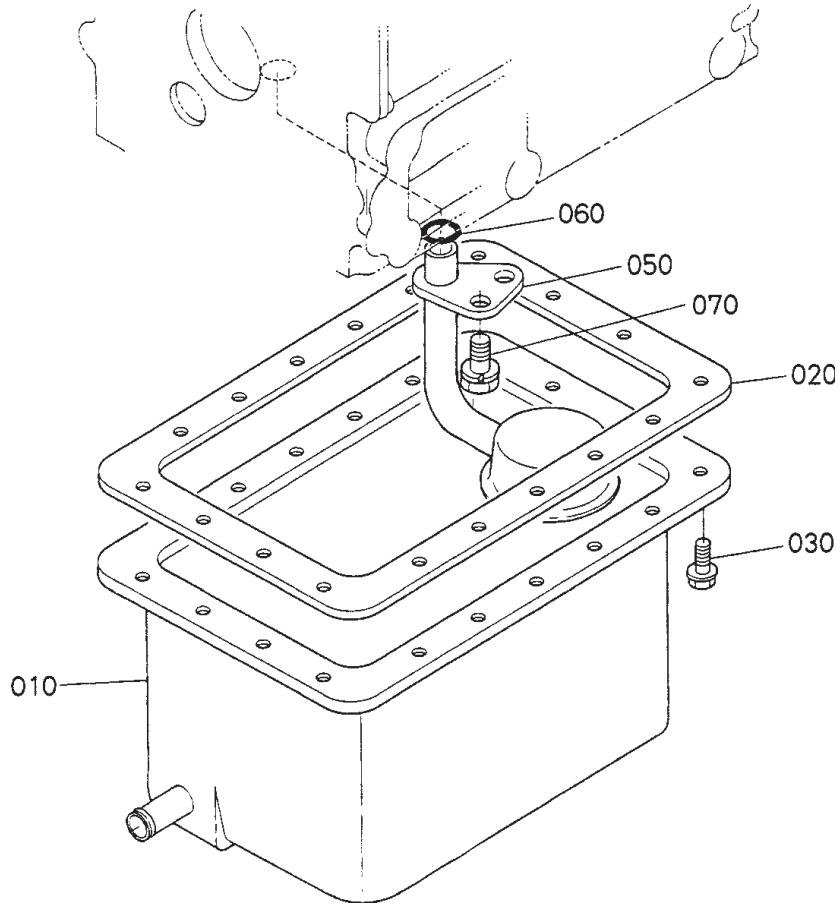
KUBOTA D722E2B/E3B — CRANKCASE ASSY.

CRANKCASE ASSY.

<u>NO.</u>	<u>PART NO.</u>	<u>PART NAME</u>	<u>QTY.</u>	<u>REMARKS</u>
010	1687301018	COMP. CRANKCASE	1	D722-E2B ONLY
010	1687301020	COMP. CRANKCASE	1	D722-E3B ONLY
020	1685196260	CAP, SEALING	3	
030	1685196270	CAP, SEALING	5	
040	1545196270	CAP, SEALING	2	
050	1526196010	PLUG	5	
060	1552196020	PLUG	3	
070	1552196030	PLUG	1	
080	1526196160	PLUG, EXPANSION	1	
090	0501200508	PIN, STRAIGHT	2	
100	0501200814	PIN, STRAIGHT	2	
110	1522133650	PIN, PIPE	1	
120	1523133960	PIN, PIPE	2	
130	1733159190	PIN, PIPE	2	
140	1685116212	COVER, FUEL CAMSHAFT	1	
150	1522133700	O'RING	1	D722-E2B ONLY
160	1584773130	JOINT, DRAIN PIPE	1	

KUBOTA D722E2B/E3B — OIL PAN ASSY.

OIL PAN ASSY.



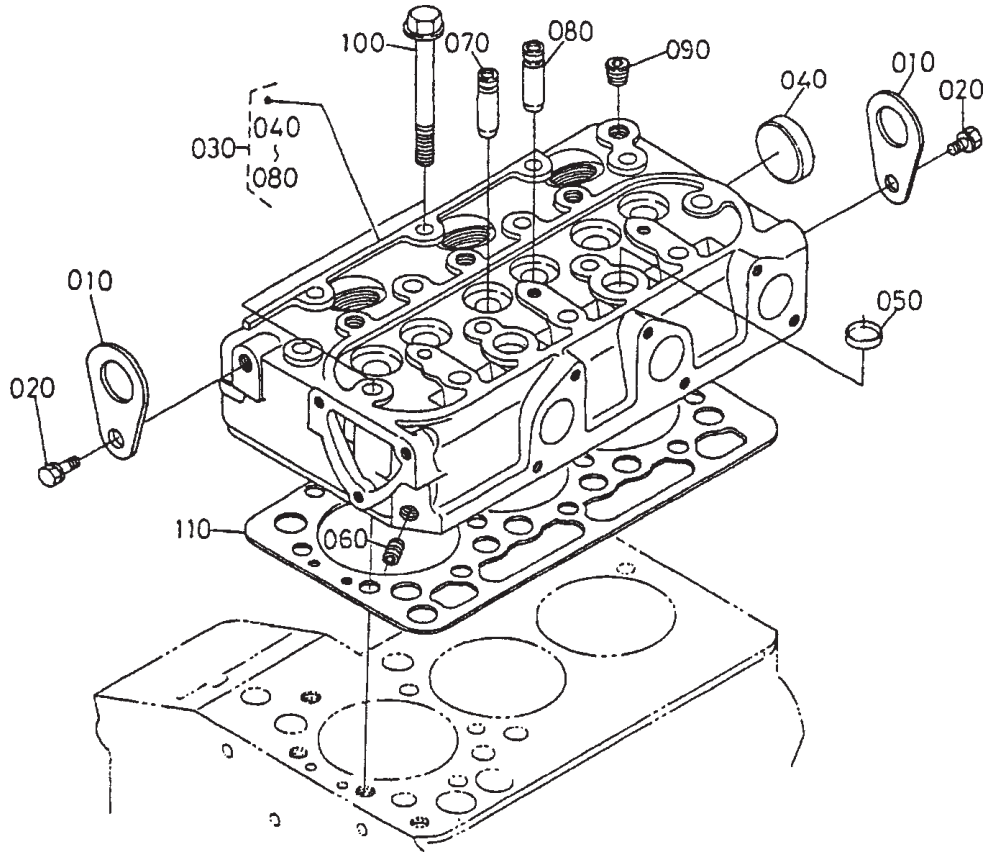
KUBOTA D722E2B/E3B — OIL PAN ASSY.

OIL PAN ASSY.

<u>NO.</u>	<u>PART NO.</u>	<u>PART NAME</u>	<u>QTY.</u>	<u>REMARKS</u>
010	1G31801500	COMP, OIL PAN	1	
020	1748501620	GASKET, OIL PAN	1	D722-E2B ONLY
030	0102350612	BOLT	18	D722-E2B ONLY
030	0102350614	BOLT	18	D722-E3B ONLY
050	1685132110	FILTER, OIL	1	
060	0481400160	O'RING	1	
070	0112360814	BOLT	1	

KUBOTA D722E2B/E3B — CYLINDER HEAD ASSY.

CYLINDER HEAD ASSY.



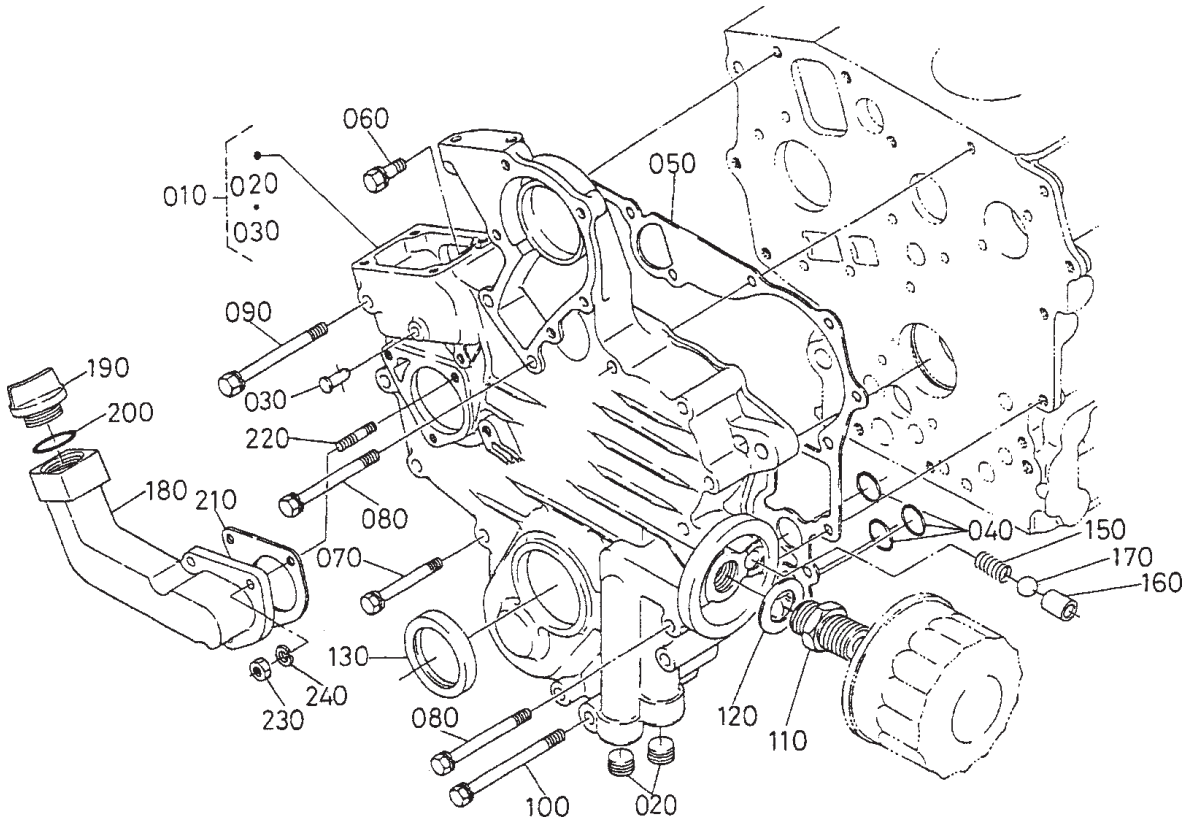
KUBOTA D722E2B/E3B — CYLINDER HEAD ASSY.

CYLINDER HEAD ASSY.

<u>NO.</u>	<u>PART NO.</u>	<u>PART NAME</u>	<u>QTY.</u>	<u>REMARKS</u>
010	1522101750	HOOK, ENGINE	2	
020	0112360816	BOLT	2	
030	1G95803040	COMP. CYLINDER HEAD	1	
040	1532196260	CAP, SEALING	1	
050	1526103370	CAP, SEALING	2	
060	1526196010	PLUG	1	
070	1584113540	GUIDE, INLET VALVE	3	
080	1584113560	GUIDE, EXHAUST VALVE	3	
090	1584196020	PLUG	1	
100	1460103450	BOLT, CYLINDER HEAD	14	
110	1687103310	GASKET, CYLINDER HEAD	1	

KUBOTA D722E2B/E3B — GEAR CASE ASSY.

GEAR CASE ASSY.



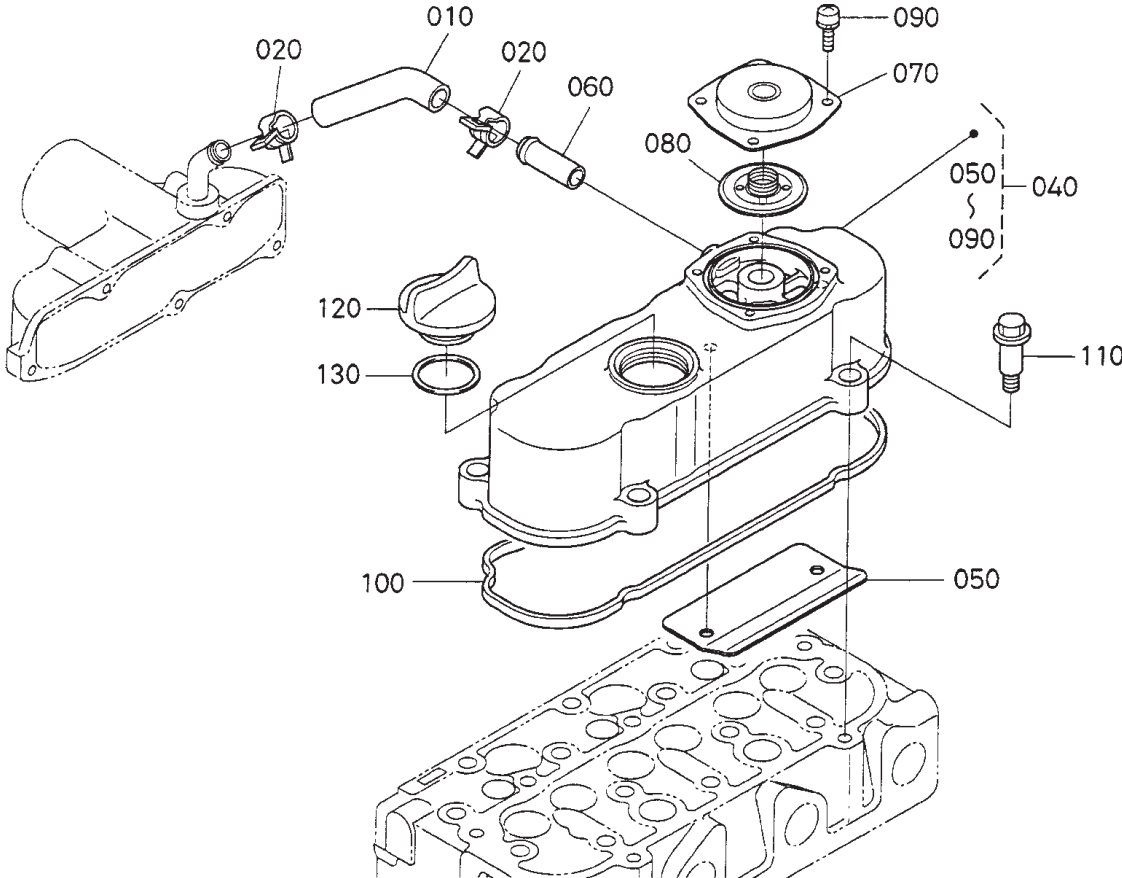
KUBOTA D722E2B/E3B — GEAR CASE ASSY.

GEAR CASE ASSY.

<u>NO.</u>	<u>PART NO.</u>	<u>PART NAME</u>	<u>QTY.</u>	<u>REMARKS</u>
010	1687504024	COMP. CASE GEAR	1	D722-E2B ONLY
010	1E05104024	COMP. CASE GEAR	1	D722-E3B ONLY
020	1552196030	PLUG	2	
030	1584156280	PIN, START SPRING	2	
040	0481406130	O'RING	3	D722-E2B ONLY
050	1586204132	GASKET, GEAR CASE	1	D722-E2B ONLY
050	1687104130	GASKET, GEAR CASE	1	D722-E3B ONLY
060	0102350618	BOLT	1	
070	0102360650	BOLT	8	
080	1584191010	BOLT	5	
090	0102360670	BOLT	1	
100	0102350675	BOLT	1	
110	1524132290	JOINT, PIPE	1	
120	1584194010	WASHER, FLAT	1	
130	1587704140	SEAL, OIL	1	
150	1685136950	SPRING	1	
160	1584136930	SEAT, VALVE	1	
170	0771503211	BALL	1	
180	1584633110	FLANGE, OIL FILLER	1	
190	1381133140	PLUG, OIL FILLER	1	
200	0481706230	O'RING	1	
210	1946188132	GASKET, H/M GEAR CASE	1	
220	1522188210	STUD	3	
230	0205650060	NUT	3	
240	0451260060	WASHER, LOCK	3	

KUBOTA D722E2B/E3B — HEAD COVER ASSY.

HEAD COVER ASSY.



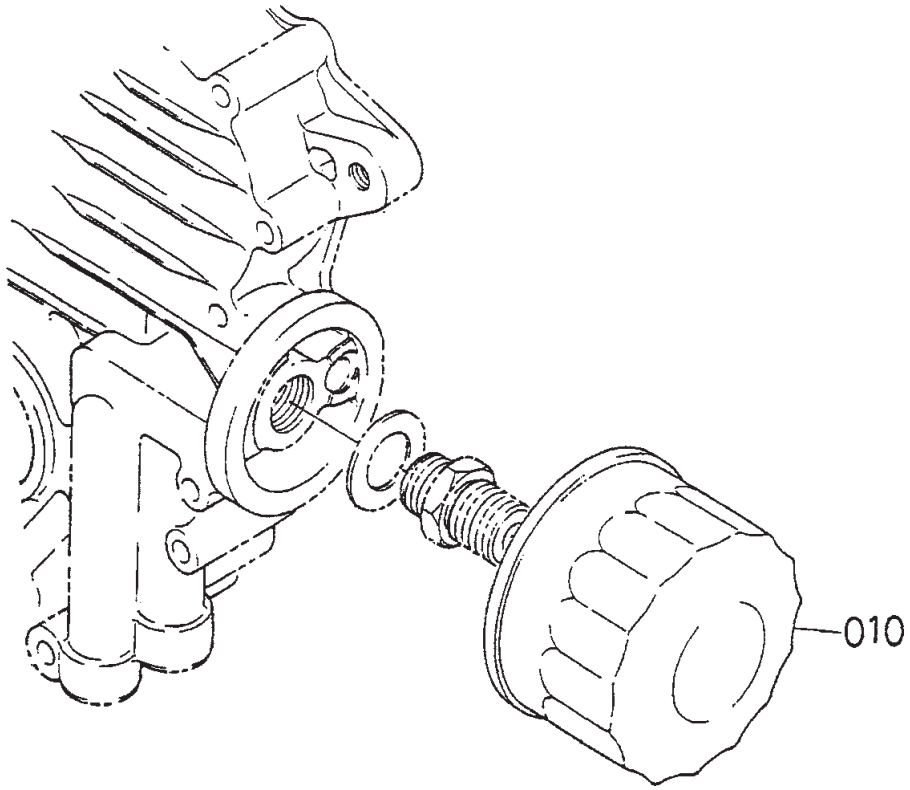
KUBOTA D722E2B/E3B — HEAD COVER ASSY.

HEAD COVER ASSY.

<u>NO.</u>	<u>PART NO.</u>	<u>PART NAME</u>	<u>QTY.</u>	<u>REMARKS</u>
010	1G95805512	TUBE, BREATHER	1	
020	0931888125	CLAMP, HOSE	2	
040	1G95814503	ASSY. COVER CYLINDER HEAD	1	D722-E2B ONLY
040	1G95814504	ASSY. COVER CYLINDER HEAD	1	D722-E3B ONLY
050	1G95805370	SHIELD, BREATHER	1	D722-E2B ONLY
050	1G95814512	COVER, CYLINDER HEAD	1	D722-E3B ONLY
060	1624173370	PIPE, WATER RETURN	1	
070	1G80105120	COVER, BREATHER	1	
080	1G91105203	COMP. VALVE BREATHER	1	
090	0302450510	SCREW, W/WASHER	4	
100	1G95814520	GASKET, HEAD COVER	1	
110	1G91191022	BOLT	4	
120	E915133140	PLUG, OIL FILLER	1	
130	0481450300	O'RING	1	

KUBOTA D722E2B/E3B — OIL FILTER ASSY.

OIL FILTER ASSY.



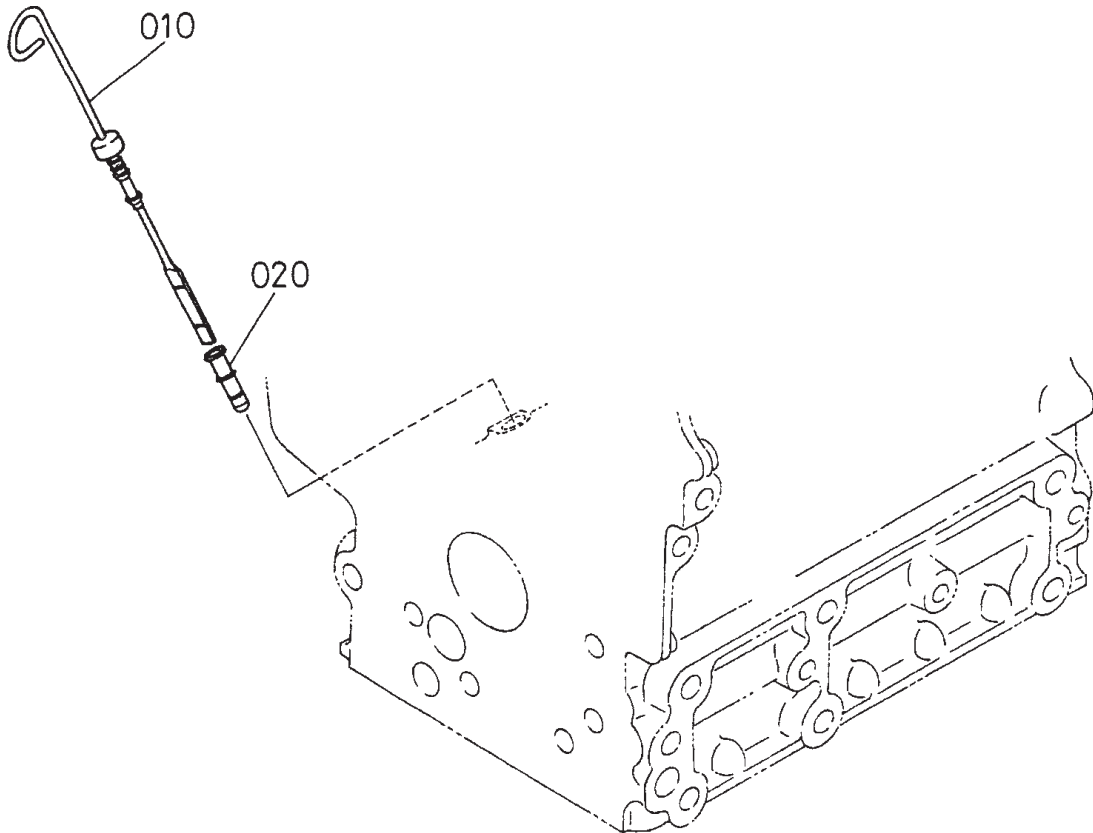
KUBOTA D722E2B/E3B — OIL FILTER ASSY.

OIL FILTER ASSY.

<u>NO.</u>	<u>PART NO.</u>	<u>PART NAME</u>	<u>QTY.</u>	<u>REMARKS</u>
010	1524132090	ASSY CARTRIDGE, OIL	1	D722-E2B ONLY
010	1524132094	ASSY CARTRIDGE, OIL	1	D722-E3B ONLY

KUBOTA D722E2B/E3B — DIPSTICK AND GUIDE ASSY.

DIPSTICK AND GUIDE ASSY.



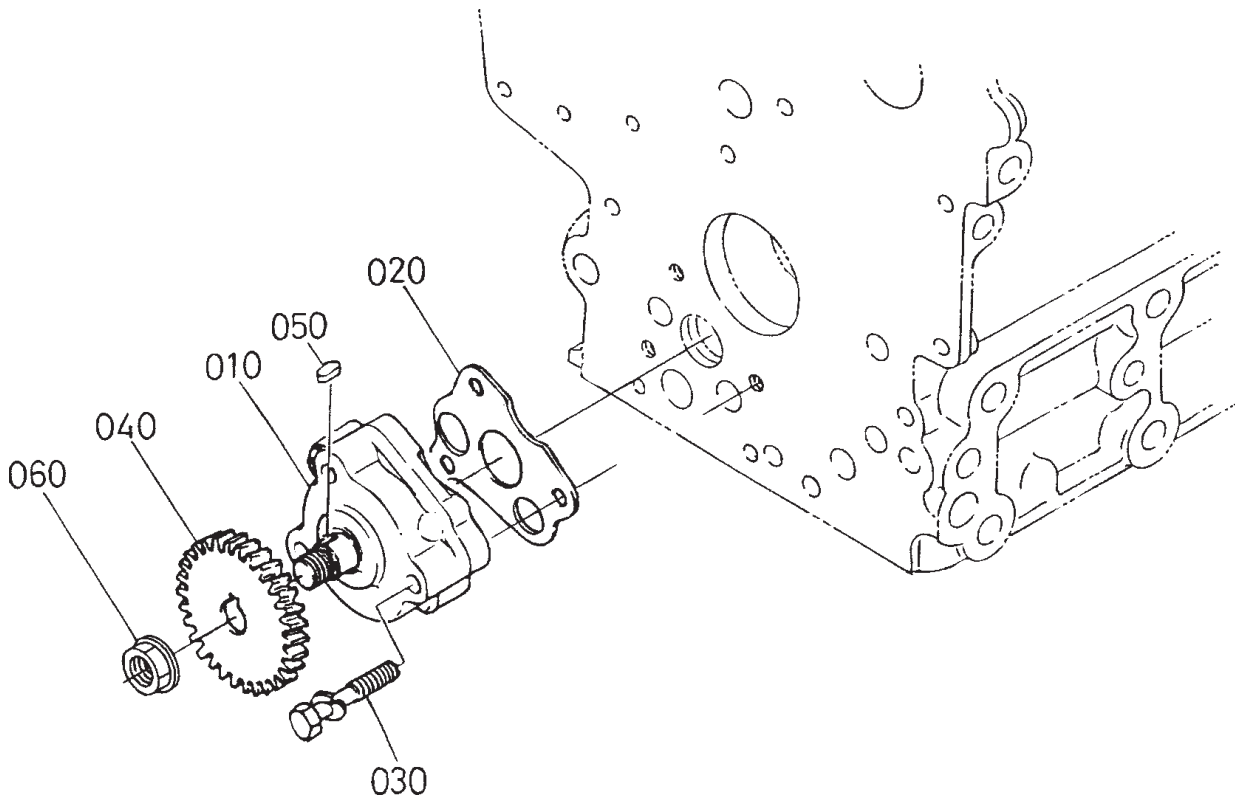
KUBOTA D722E2B/E3B — DIPSTICK AND GUIDE ASSY.

DIPSTICK AND GUIDE ASSY.

<u>NO.</u>	<u>PART NO.</u>	<u>PART NAME</u>	<u>QTY.</u>	<u>REMARKS</u>
010	1K17936410	GAUGE, OIL	1	
020	1745636420	GUIDE, OIL GAUGE	1	

KUBOTA D722E2B/E3B — OIL PUMP ASSY.

OIL PUMP ASSY.



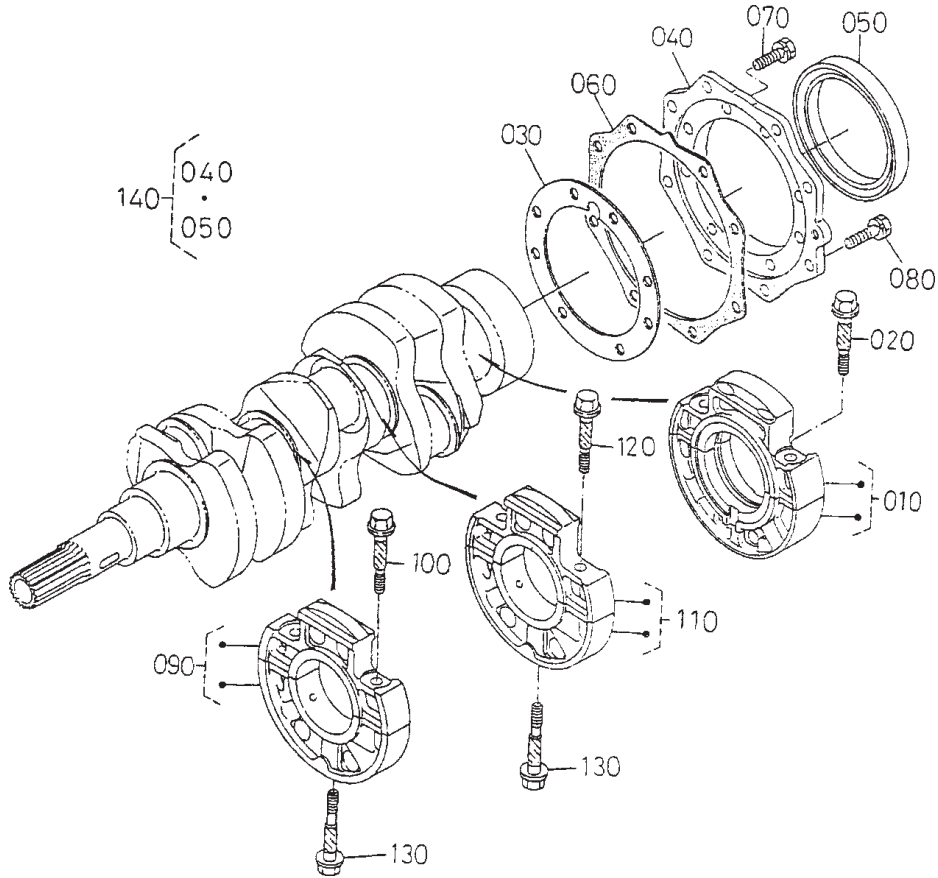
KUBOTA D722E2B/E3B — OIL PUMP ASSY.

OIL PUMP ASSY.

<u>NO.</u>	<u>PART NO.</u>	<u>PART NAME</u>	<u>QTY.</u>	<u>REMARKS</u>
010	1685135012	PUMP, OIL ASSY.	1	
020	1685135152	GASKET, OIL PUMP NA	1	
030	1584191050	BOLT	3	
040	1584135660	GEAR, OIL PUMP DRIVE	1	
050	0571200408	KEY, FEATHER	1	
060	0278350100	NUT, FLANGE	1	

KUBOTA D722E2B — MAIN BEARING CASE ASSY.

MAIN BEARING CASE ASSY. (D722E2B)



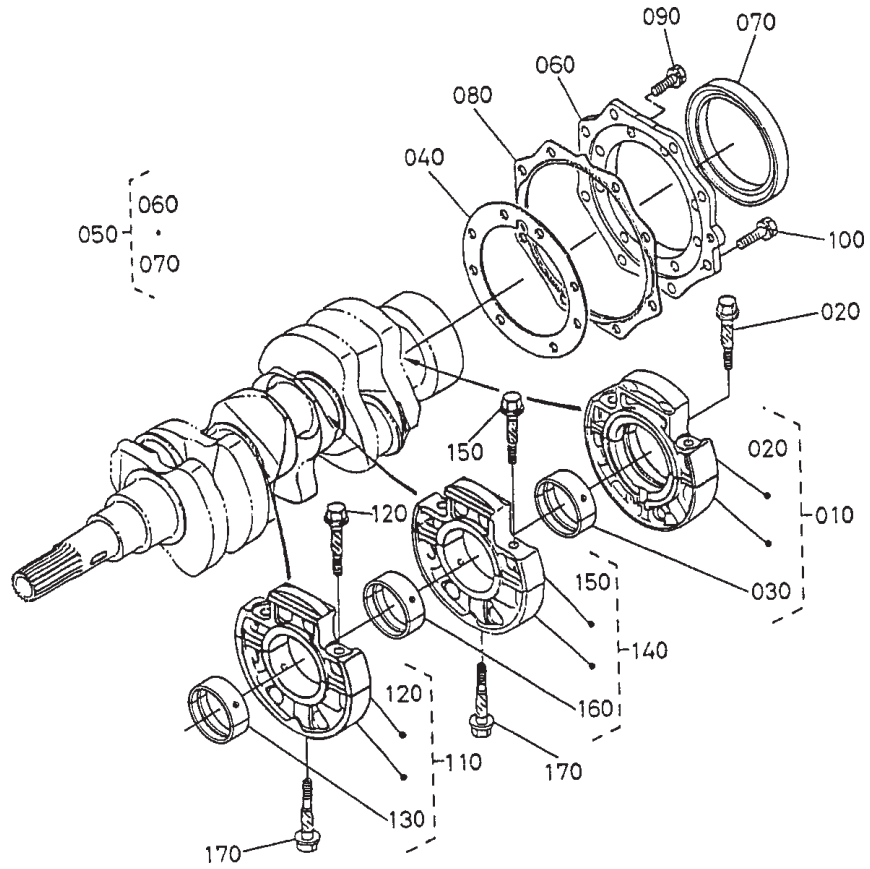
KUBOTA D722E2B — MAIN BEARING CASE ASSY.

MAIN BEARING CASE ASSY.(D722E2B)

<u>NO.</u>	<u>PART NO.</u>	<u>PAR(NAME</u>	<u>QTY.</u>	<u>REMARKS</u>
010	1685104092	MAIN BEARING CASE, ASSY.	1	
020	1584104540	BOLT, BEARING CASE	2	
030	1585204360	GASKET, BEARING CASE	1	
040	1584104803	COVER,BEARING CASE ASSY.	1	
050	1921599160	SEAL, OIL	1	
060	1584104822	GASKET	1	
070	0102350620	BOLT	8	
080	0102350622	BOLT	8	
090	1685104040	CASE,MAIN BEARING ASSY.	1	
100	1584104540	BOLT, BEARING CASE	2	
110	1686104050	CASE,MAIN BEARING ASSY.	1	
120	1584104540	BOLT, BEARING CASE	2	
130	1584104562	BOLT, BEARING CASE	2	
140	1584104803	COVER,BEARING CASE ASSY.	1	

KUBOTA D722E3B — MAIN BEARING CASE ASSY.

MAIN BEARING CASE ASSY. (D722E3B)



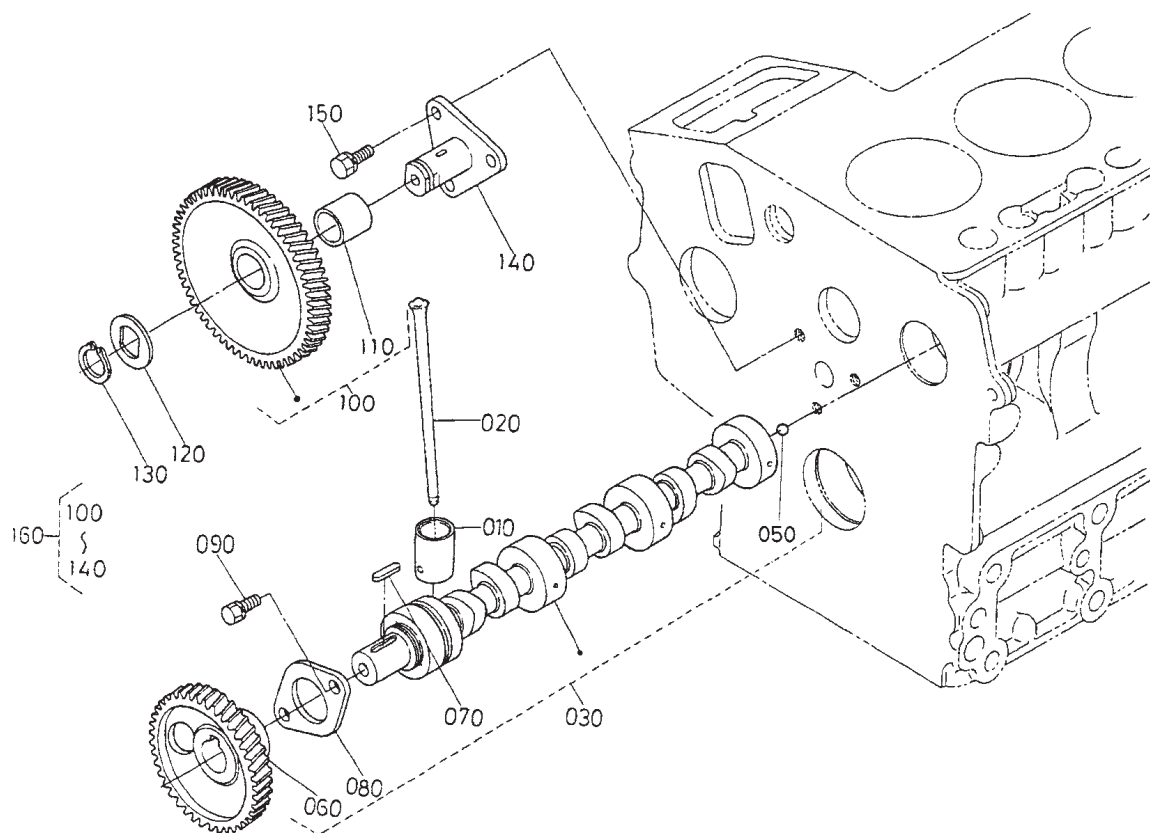
KUBOTA D722E3B — MAIN BEARING CASE ASSY.

MAIN BEARING CASE ASSY. (D722E3B)

<u>NO.</u>	<u>PART NO.</u>	<u>PART NAME</u>	<u>QTY.</u>	<u>REMARKS</u>
010	1685107090	WHEEL,BEARING CASE, ASSY.	1	
020	1584104540	BOLT, BEARING CASE	2	
030	1686123480	METAL, CRANKSHAFT M STD.SET	1	
040	1585204360	GASKET, BEARING CASE	1	
050	1584104803	COVER,BEARING CASE ASSY.	1	
060	1584104815	COVER,BEARING CASE ASSY.	1	
070	1921599160	SEAL, OIL	1	
080	1584104823	GASKET, CASE COVER	1	
090	0102350620	BOLT	8	
100	0102350622	BOLT	8	
110	1685107040	CASE,MAIN BEARING ASSY.	1	
120	1584104540	BOLT, BEARING CASE	2	
130	1686123490	METAL, CRANKSHAFT M STD.SET	1	
140	1685107050	CASE,MAIN BEARING ASSY.	1	
150	1584104540	BOLT, BEARING CASE	2	
160	1686123490	METAL, CRANKSHAFT M STD.SET	1	
170	1584104562	BOLT, BEARING CASE	2	

KUBOTA D722E2B/E3B — CAMSHAFT AND IDLE GEAR ASSY.

CAMSHAFT AND IDLE GEAR SHAFT ASSY.



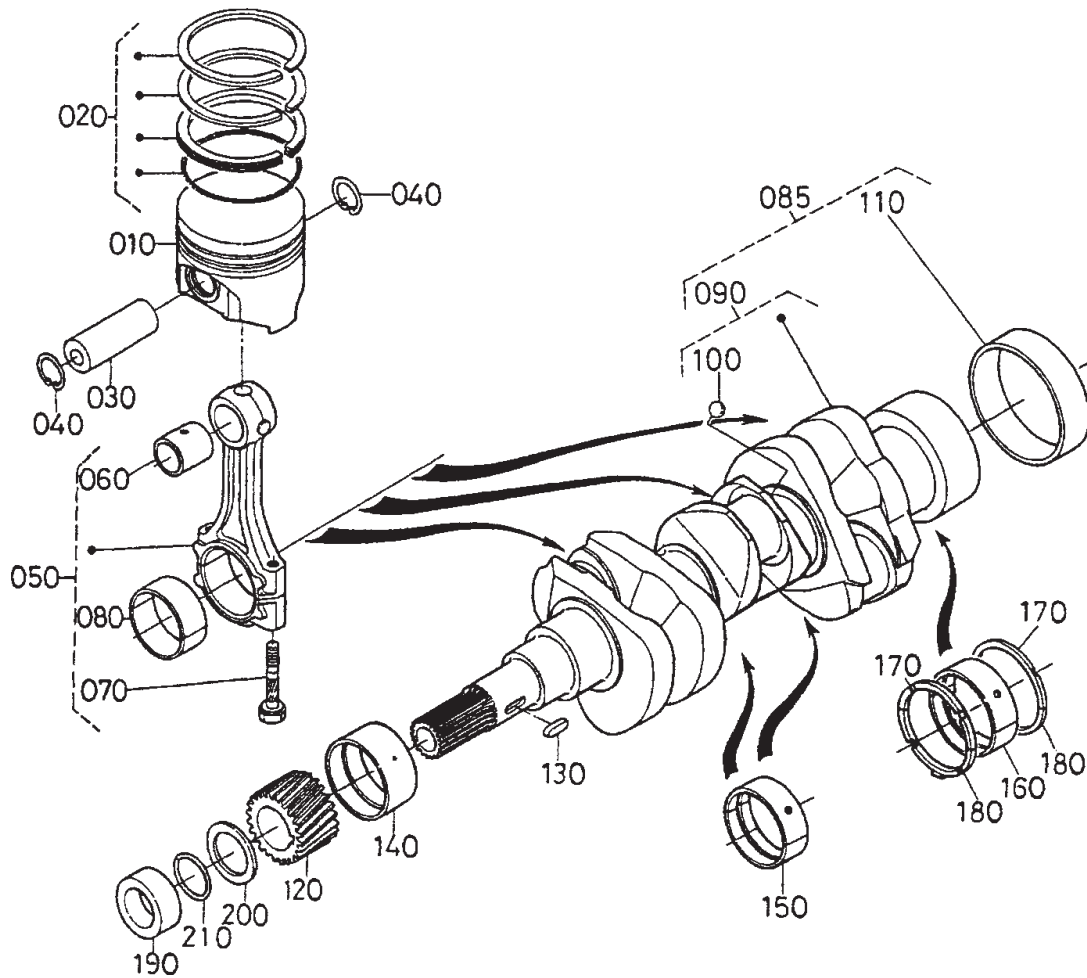
KUBOTA D722E2B/E3B — CAMSHAFT AND IDLE GEAR ASSY.

CAMSHAFT AND IDLE GEAR SHAFT ASSY.

<u>NO.</u>	<u>PART NO.</u>	<u>PART NAME</u>	<u>QTY.</u>	<u>REMARKS</u>
010	1685115552	TAPPET	6	
020	1685115110	PUSH ROD	6	
030	1686416015	CAMSHAFT ASY.	1	
050	0771500401	BALL	1	
060	1686416510	GEAR, CAMSHAFT	1	
070	0571200518	KEY, FEATHER	1	
080	1584116270	STOPPER, CAMSHAFT	1	
090	0102350612	BOLT	2	
100	1587524013	GEAR, IDLE COMP.	1	
110	1587524282	BUSH	1	
120	1587524370	COLLAR, IDLE GEAR	1	
130	1587524320	RING, SNAP	1	
140	1587524250	SHAFT, IDLE GEAR	1	
150	0102350614	BOLT	3	
160	15687599340	IDLE GEAR, ASSY. SERV	1	

KUBOTA D722E2B/E3B — PISTON AND CRANKSHAFT ASSY.

PISTON AND CRANKSHAFT ASSY.



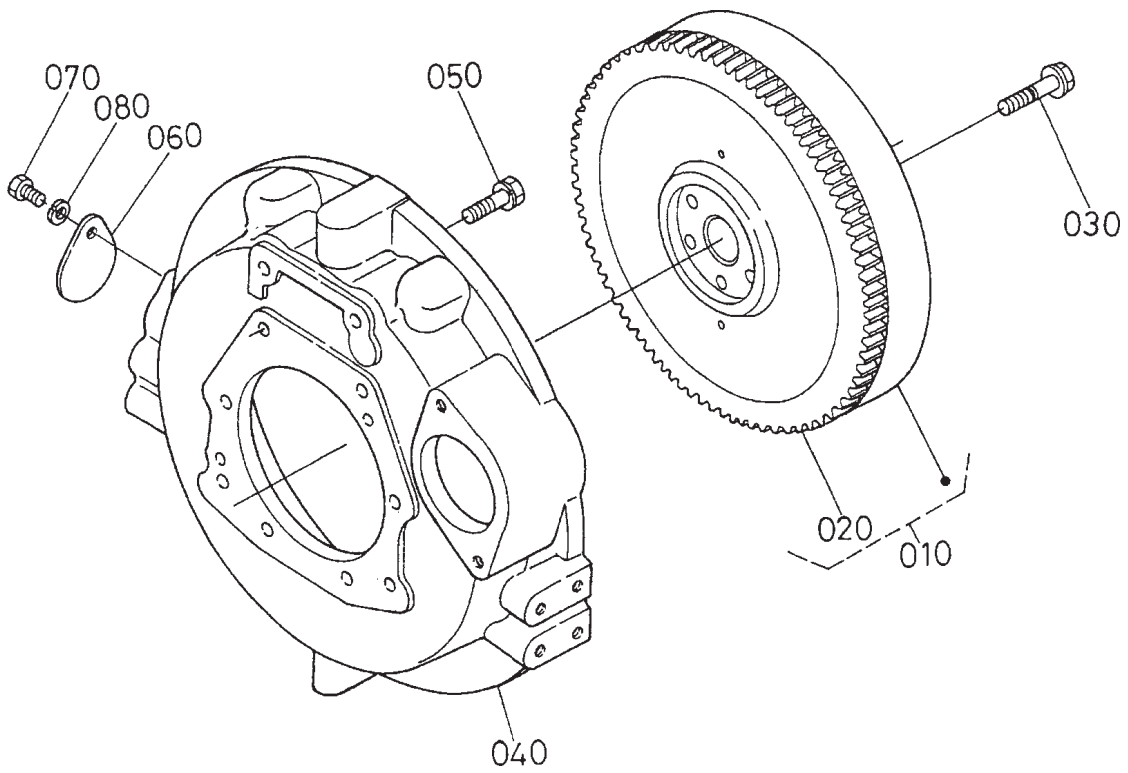
KUBOTA D722E2B/E3B — PISTON AND CRANKSHAFT ASSY.

PISTON AND CRANK SHAFT ASSY.

<u>NO.</u>	<u>PART NO.</u>	<u>PART NAME</u>	<u>QTY.</u>	<u>REMARKS</u>
010	1685121112	PISTON, (STD.)	3	D722-E2B ONLY
010	1685121114	PISTON, (STD.)	3	D722-E3B ONLY
010	1685121900	PISTON, (+0.25mm)	3	D722-E2B ONLY
010	1685121903	PISTON, (+0.25mm)	3	D722-E3B ONLY
020	1685321050	PISTON RING, ASSY. (STD.)	3	
020	1685321090	PISTON RING, ASSY. (+0.25mm)	3	
030	1687121310	PIN, PISTON	3	
040	1526121330	CIR. CLIP, PISTON PIN	6	
050	1685122015	ROD, CONNECTING ASSY.	3	
060	1685121982	BUSH, PISTON PIN	3	
070	1685122140	BOLT, CONNECTING ROD	6	
080	1685122320	METAL, CRANKPIN M (STD.)	3	
080	1586122970	METAL, CRANKPIN (-0.20mm) SET	3	
080	1586122980	METAL, CRANKPIN (-0.40mm) SET	3	
085	1686323030	CRANKSHAFT, ASSY.	1	D722-E2B ONLY
085	1686323032	CRANKSHAFT, ASSY.	1	D722-E3B ONLY
090	1686123010	COMP., CRANKSHAFT	1	D722-E2B ONLY
090	1686123012	COMP., CRANKSHAFT	1	D722-E3B ONLY
100	0771503207	BALL	3	
110	1921523280	SLEEVE, CRANKSHAFT	1	
120	1584124110	GEAR, CRANK	1	
130	0571200515	KEY, FEATHER	1	
140	1586123470	METAL, CRANKSHAFT (STD.)	1	
140	1586123910	METAL, CRANKSHAFT (-0.20mm)	1	
140	1586123920	METAL, CRANKSHAFT (-0.40mm)	1	
150	1686123490	METAL, CRANKSHAFT M (STD.)	2	
150	1586123860	METAL, CRANKSHAFT (-0.20mm) SET	2	
150	1586123870	METAL, CRANKSHAFT (-0.40mm) SET	2	
160	1686123480	METAL, CRANKSHAFT M (STD.)	1	
160	1569423930	METAL, CRANKSHAFT (-0.20mm)	1	
160	1569423940	METAL, CRANKSHAFT (-040mm)	1	
170	1526123530	METAL, SIDE (STD.)	2	
170	1526123950	METAL, SIDE (+0.25.mm)	2	
170	1526123960	METAL, SIDE (+0.40.mm)	2	
180	1526123540	METAL, SIDE (STD.)	2	
180	1526123543	METAL, SIDE (STD.)	2	D722-E3B ONLY
180	1526123970	METAL, SIDE (+0.20.mm)	2	D722-E2B ONLY
180	1526123973	METAL, SIDE (+0.20.mm)	2	D722-E3B ONLY
180	1526123980	METAL, SIDE (+0.40.mm)	2	D722-E2B ONLY
180	1526123983	METAL, SIDE (+0.40.mm)	2	D722-E3B ONLY
190	1584123250	COLLAR, CRANKSHAFT	1	
200	1588123310	SLINGER, OIL	1	
210	0481416220	O'RING	1	

KUBOTA D722E2B/E3B — FLYWHEEL ASSY.

FLYWHEEL ASSY.



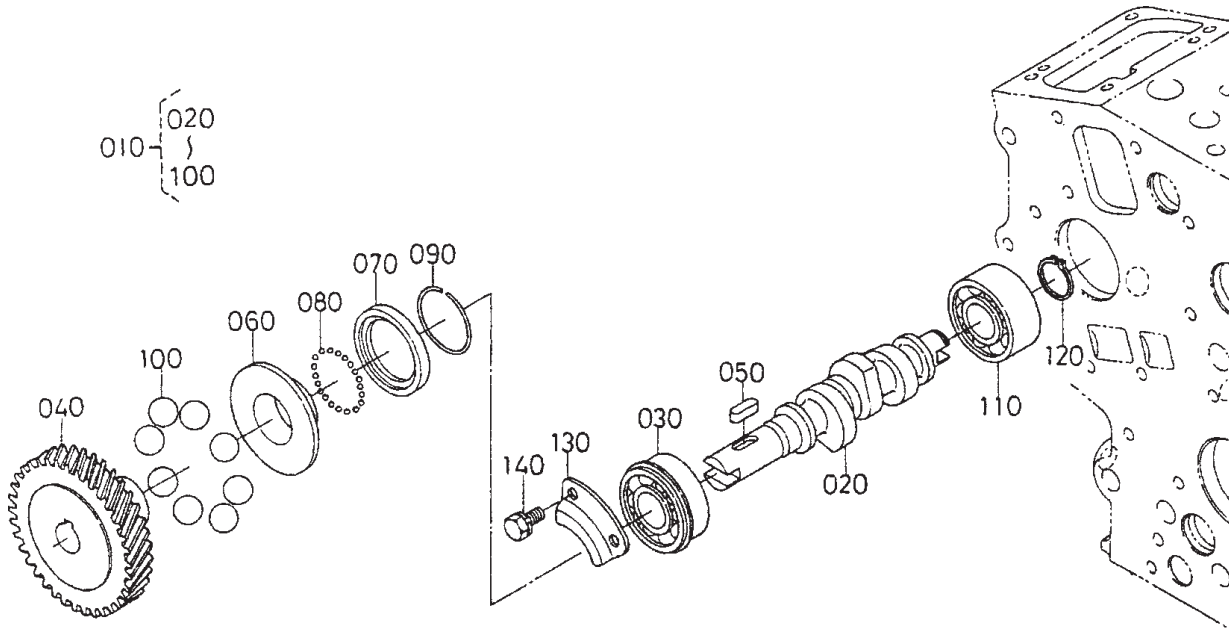
KUBOTA D722E2B/E3B — FLYWHEEL ASSY.

FLYWHEEL ASSY.

<u>NO.</u>	<u>PART NO.</u>	<u>PART NAME</u>	<u>QTY.</u>	<u>REMARKS</u>
010	1587825010	COMP., FLYWHEEL	1	
020	1681363820	GEAR, RING	1	
030	1553325162	BOLT, FLYWHEEL	5	
050	0112350822	BOLT	10	
060	3122014170	COVER	1	
070	0115350812	BOLT	1	
080	0451260080	WASHER, LOCK	1	

KUBOTA D722E2B/E3B — FUEL CAMSHAFT AND GOV. SHAFT ASSY.

FUEL CAMSHAFT AND GOVERNOR SHAFT ASSY.



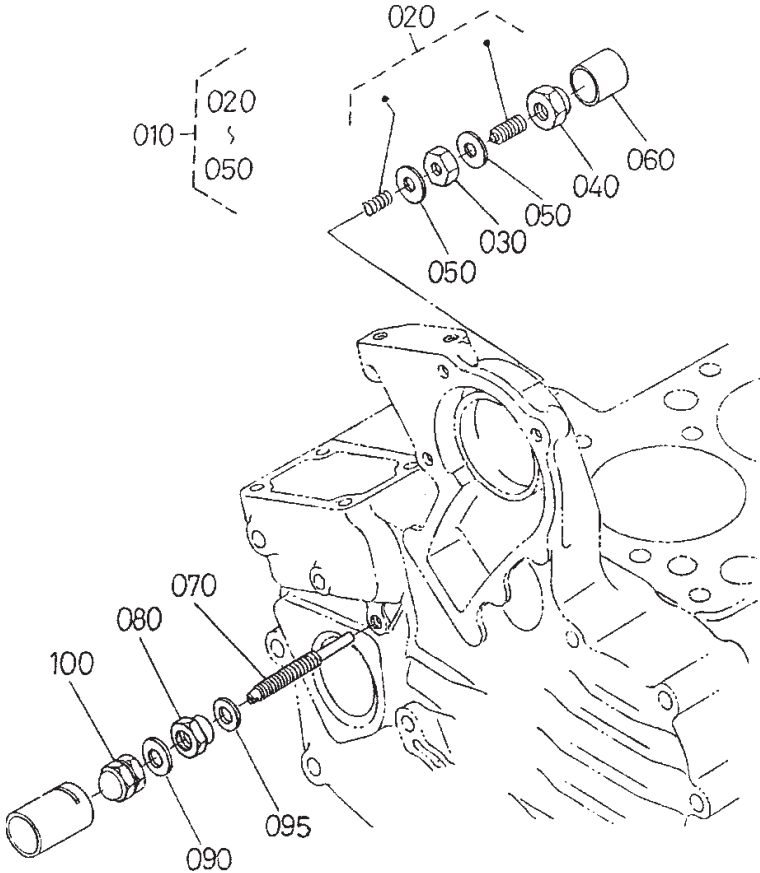
KUBOTA D722E2B/E3B — FUEL CAMSHAFT AND GOV. SHAFT ASSY.

FUEL CAMSHAFT AND GOVERNOR SHAFT ASSY.

<u>NO.</u>	<u>PART NO.</u>	<u>PART NAME</u>	<u>QTY.</u>	<u>REMARKS</u>
010	1686116023	CAMSHAFT, FUEL ASSY.....	1	D722-E2B ONLY
010	1686116024	CAMSHAFT, FUEL ASSY.....	1	D722-E3B ONLY
020	1587516173	CAMSHAFT, FUEL	1	
030	0815306203	BEARING, BALL	1	
040	1685151150	GEAR, INJECTION PUMP	1	
050	0571200515	KEY, FEATHER	1	
060	1584155450	SLEEVE, GOVERNOR.....	1	D722-E2B ONLY
060	1584155452	SLEEVE, GOVERNOR.....	1	D722-E3B ONLY
070	1584155690	CASE, GOVERNOR BALL	1	
080	077150080	BALL	32	
090	1526155470	CIR-CLIP, GOV. SLEEVE	1	
100	0771503217	BALL	8	
110	1687197300	BEARING, BALL	1	
120	0461200170	CIR-CLIP, EXTERNAL	1	
130	1584116320	STOPPER, FUEL. C/SHAFT	1	
140	0102350612	BOLT	2	

KUBOTA D722E2B/E3B — IDLE APPARATUS ASSY.

IDLE APPARATUS ASSY.



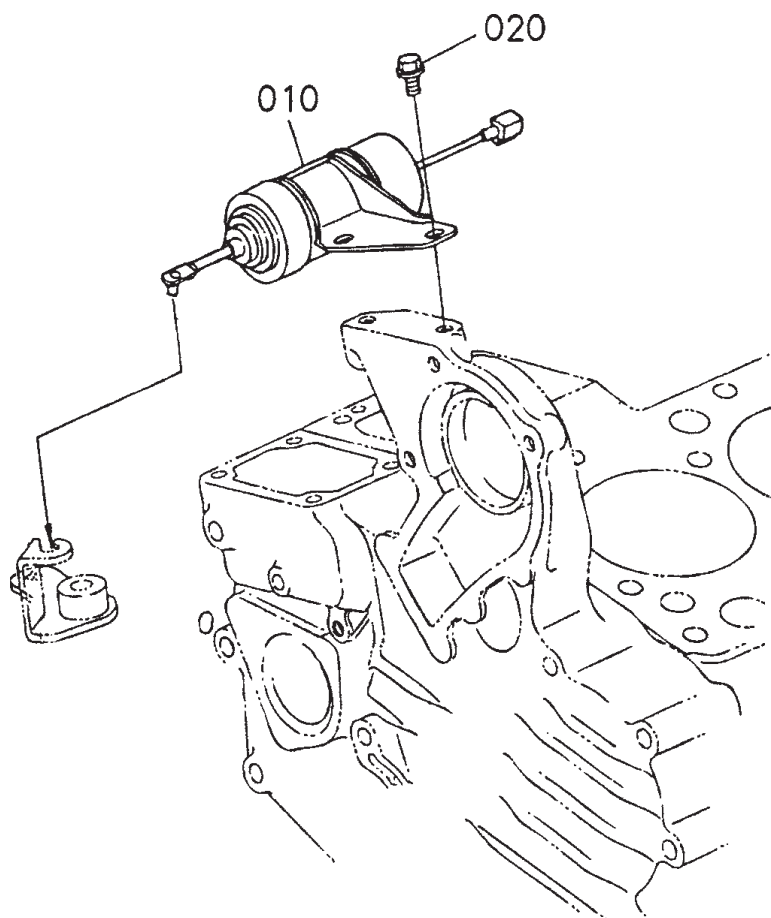
KUBOTA D722E2B/E3B — IDLE APPARATUS ASSY.

IDLE APPARATUS ASSY.

<u>NO.</u>	<u>PART NO.</u>	<u>PART NAME</u>	<u>QTY.</u>	<u>REMARKS</u>
010	1584154092	APPARATUS, IDLE ASSY.	1	
020	1584154100	BOLT, ADJUSTMENT	1	
030	152619202	NUT	1	
040	1584154220	NUT	1	
050	1502133660	GASKET	2	
060	1584154270	CAP	1	
070	1584154123	BOLT, ADJUSTING	1	
080	1G03154210	NUT, LOCK	1	
090	1560196650	GASKET	1	
095	1G02196650	GASKET	1	
100	1584192330	NUT	1	

KUBOTA D722E2B/E3B — STOP SOLENOID ASSY.

STOP SOLENOID ASSY.



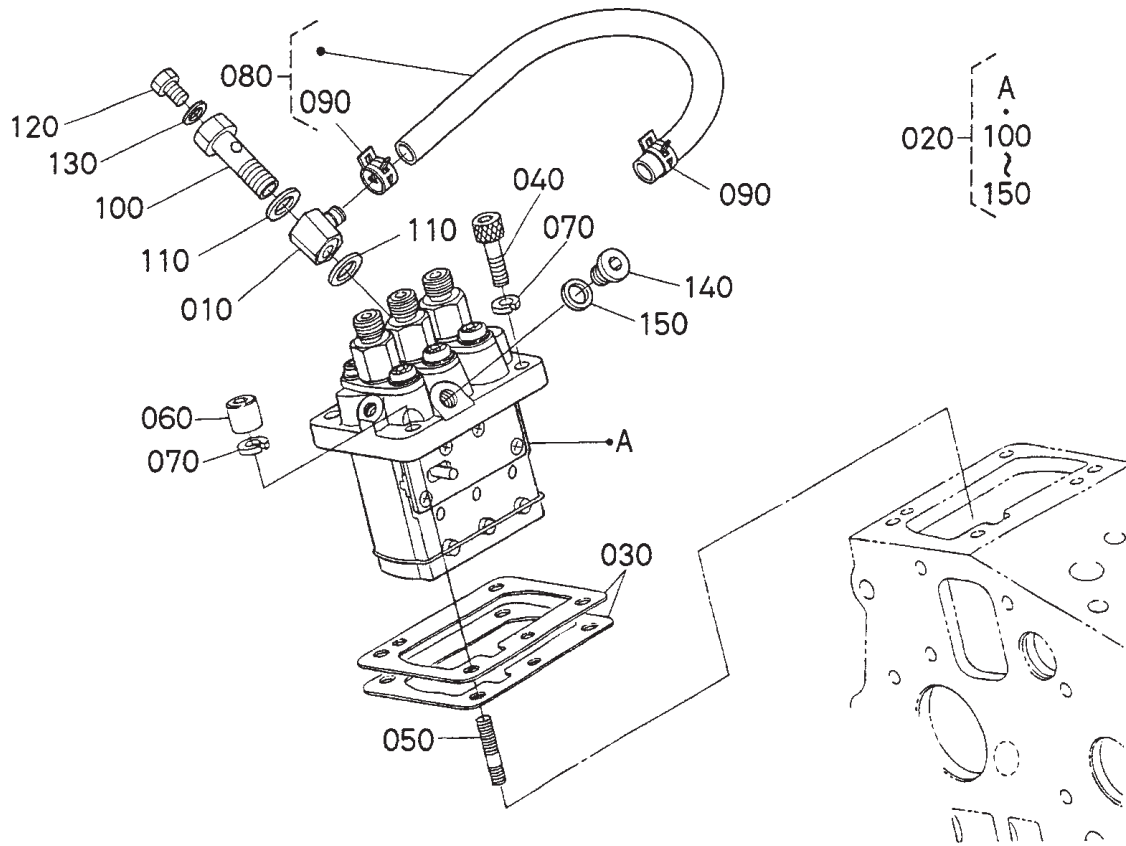
KUBOTA D722E2B/E3B — STOP SOLENOID ASSY.

STOP SOLENOID ASSY.

<u>NO.</u>	<u>PART NO.</u>	<u>PART NAME</u>	<u>QTY.</u>	<u>REMARKS</u>
010	1685160013	SOLENOID, STOP	1	D722-E2B ONLY
010	1685160014	SOLENOID, STOP	1	D722-E3B ONLY
020	0175450612	BOLT, FLANGE	2	

KUBOTA D722E2B/E3B — INJECTION PUMP ASSY.

INJECTION PUMP ASSY.



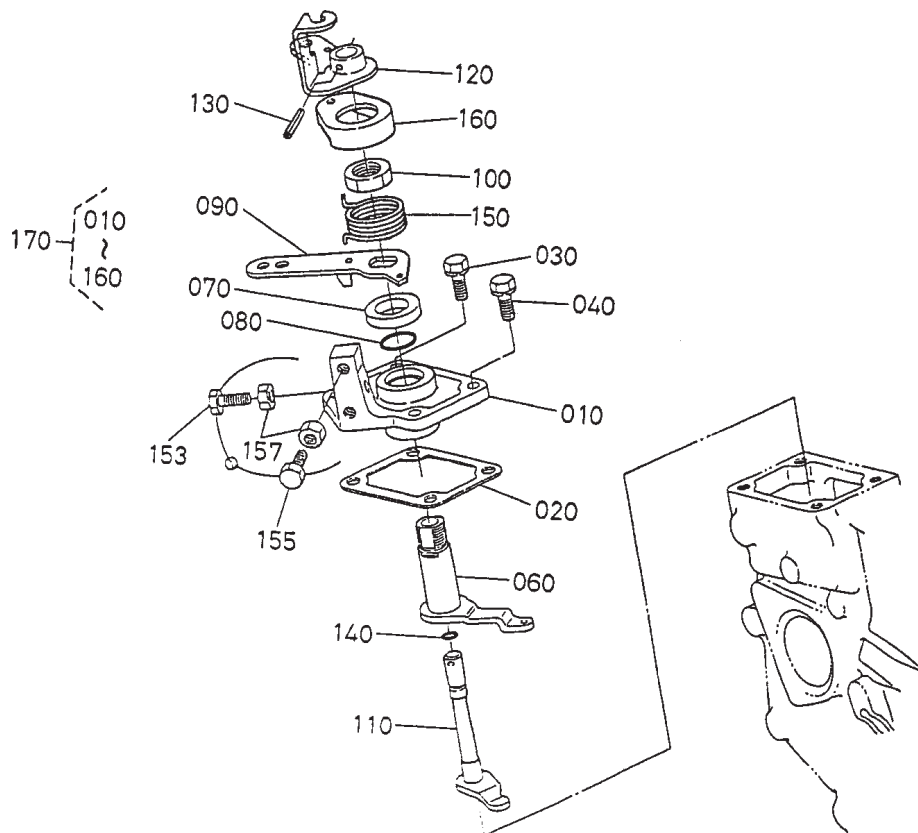
KUBOTA D722E2B/E3B — INJECTION PUMP ASSY.

INJECTION PUMP ASSY.

<u>NO.</u>	<u>PART NO.</u>	<u>PART NAME</u>	<u>QTY.</u>	<u>REMARKS</u>
010	1584195680	JOINT, EYE	1	
020	1600651010	PUMP, INJECTION ASSY.	1	
025	1G70052160	SHIM, INJECTION PUMP (0.35mm)	1	D722-E2B ONLY
027	1G70052200	SHIM, INJECTION PUMP (0.175mm)	1	D722-E3B ONLY
030	1600652092	SHIM, INJECTION PUMP (0.20mm)	1	D722-E3B ONLY
030	1600652092	SHIM, INJECTION PUMP (0.20mm)	1	D722-E2B ONLY
030	1600652112	SHIM, INJECTION PUMP (0.25mm)	1	D722-E2B ONLY
030	1600652122	SHIM, INJECTION PUMP (0.30mm)	1	D722-E2B ONLY
035	1600652112	SHIM, INJECTION PUMP (0.25mm)	1	D722-E3B ONLY
037	1600652122	SHIM, INJECTION PUMP (0.30mm)	1	D722-E3B ONLY
040	0131110620	BOLT, HEX-SOC-HD	2	D722-E2B ONLY
040	1687191060	BOLT, HEX-SOC-HD	2	D722-E3B ONLY
050	1584191500	STUD	2	
060	1584192320	NUT	2	
070	0451260060	WASHER, LOCK	4	
080	1526142010	PIPE, FUEL ASSY. Ø8x Ø13x 175L	1	
090	14911142750	CLIP, PIPE	2	
100	1584151320	SCREW, HOLLOW	1	
110	1584196650	GASKET	2	
120	1584151350	SCREW	1	
130	1584196660	GASKET	1	
140	1603096010	PLUG	1	
150	1586196650	GASKET	1	

KUBOTA D722E2B/E3B — SPEED CONTROL PLATE ASSY.

SPEED CONTROL PLATE ASSY.



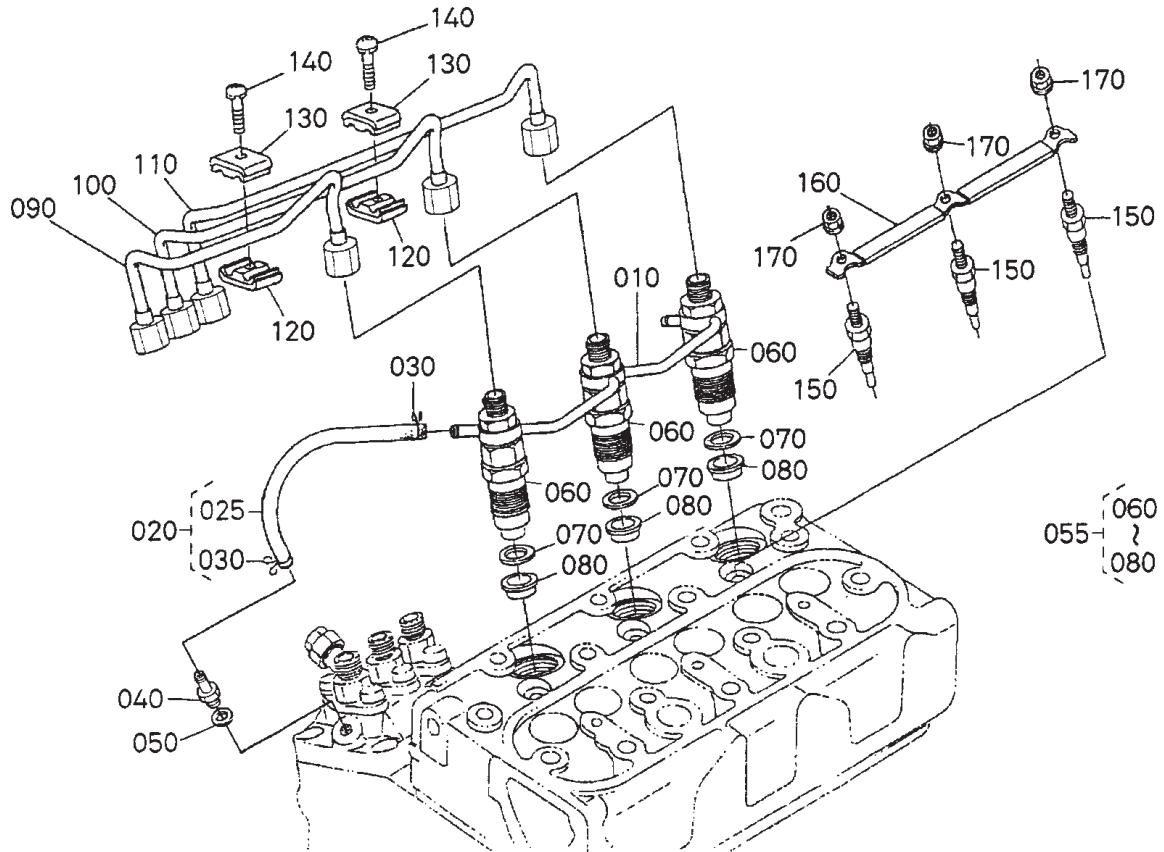
KUBOTA D722E2B/E3B — SPEED CONTROL PLATE ASSY.

SPEED CONTROL PLATE ASSY.

<u>NO.</u>	<u>PART NO.</u>	<u>PART NAME</u>	<u>QTY.</u>	<u>REMARKS</u>
010	1584157112	PLATE,SPEED CONTROL	1	
020	1584157212	GASKET, CONTROL PLATE	1	
030	0102350618	BOLT	2	
040	0105350618	BOLT	2	D722-E2B ONLY
040	1687191050	BOLT	2	D722-E3B ONLY
050	1560196650	GASKET	2	D722-E2B ONLY
060	1584156112	LEVER, GOVERNOR	1	
070	1928057240	COLLAR	1	
080	0481410160	O'RING	1	
090	1G63957150	LEVER, SPEED CONTROL	1	
100	1686692010	NUT, SPEED CONTROL	1	
110	1687857742	SHAFT, LEVER	1	
120	1685157724	LEVER, ENGINE STOP	1	
130	0541100314	PIN, SPRING	1	
140	0481410070	O'RING	1	
150	1687857920	SPRING, RETURN	1	
153	1920291010	BOLT	1	D722-E3B ONLY
155	1920291010	BOLT	2	D722-E3B ONLY
157	0205650060	NUT	3	D722-E3B ONLY
160	1686657302	CAP	1	
170	1756157013	COMP. PLATE, SPEED CO.	1	

KUBOTA D722E2B/E3B — NOZZLE HOLDER AND GLOW PLUG ASSY.

NOZZLE HOLDER AND GLOW PLUG ASSY.



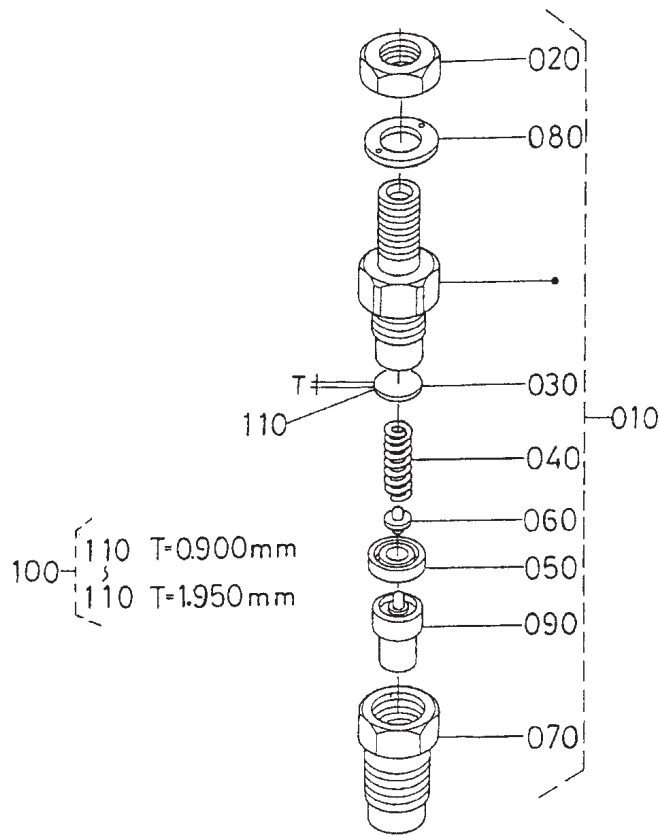
KUBOTA D722E2B/E3B — NOZZLE HOLDER AND GLOW PLUG ASSY.

NOZZLE HOLDER AND GLOW PLUG ASSY.

<u>NO.</u>	<u>PART NO.</u>	<u>PART NAME</u>	<u>QTY.</u>	<u>REMARKS</u>
010	1586242502	PIPE, OVER FLOW ASSY.	1	
020	1584142500	PIPE, OVER FLOW ASSY.	1	
025	1584142520	PIPE, FUEL OVER FLOW 4x 8x13	1	
030	149742750	CLIP, PIPE	2	
040	1584151360	SCREW, AIR BLEEDER	1	
050	1560196650	GASKET	1	
055	1600153900	KIT HOLDER, NOZZLE	3	
060	1600153000	HOLDER, NOZZLE ASSY.	3	
070	1584153622	GASKET	3	
080	1907753650	SEAL, HEAT	3	
090	1685153713	PIPE, INJECTION	1	D722-E2B ONLY
090	1G68653710	PIPE, INJECTION	1	D722-E3B ONLY
100	1685153723	PIPE, INJECTION	1	D722-E2B ONLY
100	1G68653720	PIPE, INJECTION	1	D722-E3B ONLY
110	1687153733	PIPE, INJECTION	1	DD722-E2B ONLY
110	1G68653730	PIPE, INJECTION	1	D722-E3B ONLY
120	1584153850	CLAMP, PIPE	2	
130	1584153860	CLAMP, PIPE	2	
140	0302450520	SCREW, W/ WASHER	2	
150	1685165512	GLOW PLUG	3	
160	1686165560	CORD, GLOW PLUG	1	
170	0276150040	NUT, FLANGE	3	

KUBOTA D722E2B/E3B — NOZZLE HOLDER (COMPONET PARTS) ASSY.

NOZZLE HOLDER ASSY. (COMPONET PARTS)



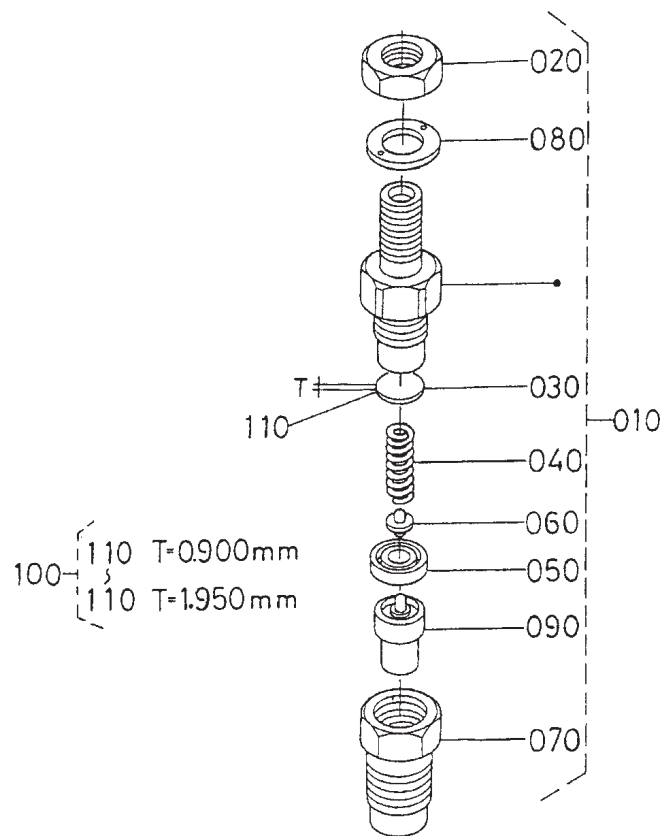
KUBOTA D722E2B/E3B — NOZZLE HOLDER (COMPONET PARTS) ASSY.

NOZZLE HOLDER ASSY. (COMPONET PARTS)

<u>NO.</u>	<u>PART NO.</u>	<u>PART NAME</u>	<u>QTY.</u>	<u>REMARKS</u>
005	1600153900	KIT HOLDER, NOZZLE	3	D722-E3B ONLY
010	1600153000	HOLDER, NOZZLE ASSY.	3	
020	1584192030	NUT	3	
030	1584153230	WASHER, ADJUSTING	3	
040	1584153170	SPRING, NOZZLE	3	
050	1584153350	PIECE, DISTANCE	3	
060	1584153160	PUSH, ROD	3	
070	1647553280	NUT, NOZZLE	3	
080	1584194040	WASHER	3	
090	1685153610	PIECE, NOZZLE	3	
100	1584198100	WASHER, ADJUST ASSY.	3	
110	1584153230	WASHER, ADJUSTING (0.900mm)	3	
110	1584198510	WASHER, ADJUSTING (0.925mm)	3	
110	1584198520	WASHER, ADJUSTING (0.950mm)	3	
110	1584198530	WASHER, ADJUSTING (0.975mm)	3	
110	1584198540	WASHER, ADJUSTING (1.000mm)	3	
110	1584198550	WASHER, ADJUSTING (1.025mm)	3	
110	1584198560	WASHER, ADJUSTING (1.050mm)	3	
110	1584198570	WASHER, ADJUSTING (1.075mm)	3	
110	1584198580	WASHER, ADJUSTING (1.100mm)	3	
110	1584198590	WASHER, ADJUSTING (1.125mm)	3	
110	1584198600	WASHER, ADJUSTING (1.150mm)	3	
110	1584198610	WASHER, ADJUSTING (1.175mm)	3	
110	1584198620	WASHER, ADJUSTING (1.200mm)	3	
110	1584198630	WASHER, ADJUSTING (1.225mm)	3	
110	1584198640	WASHER, ADJUSTING (1.250mm)	3	
110	1584198650	WASHER, ADJUSTING (1.275mm)	3	

KUBOTA D722E2B/E3B — NOZZLE HOLDER (COMPONET PARTS) ASSY.

NOZZLE HOLDER ASSY. (COMPONET PARTS)



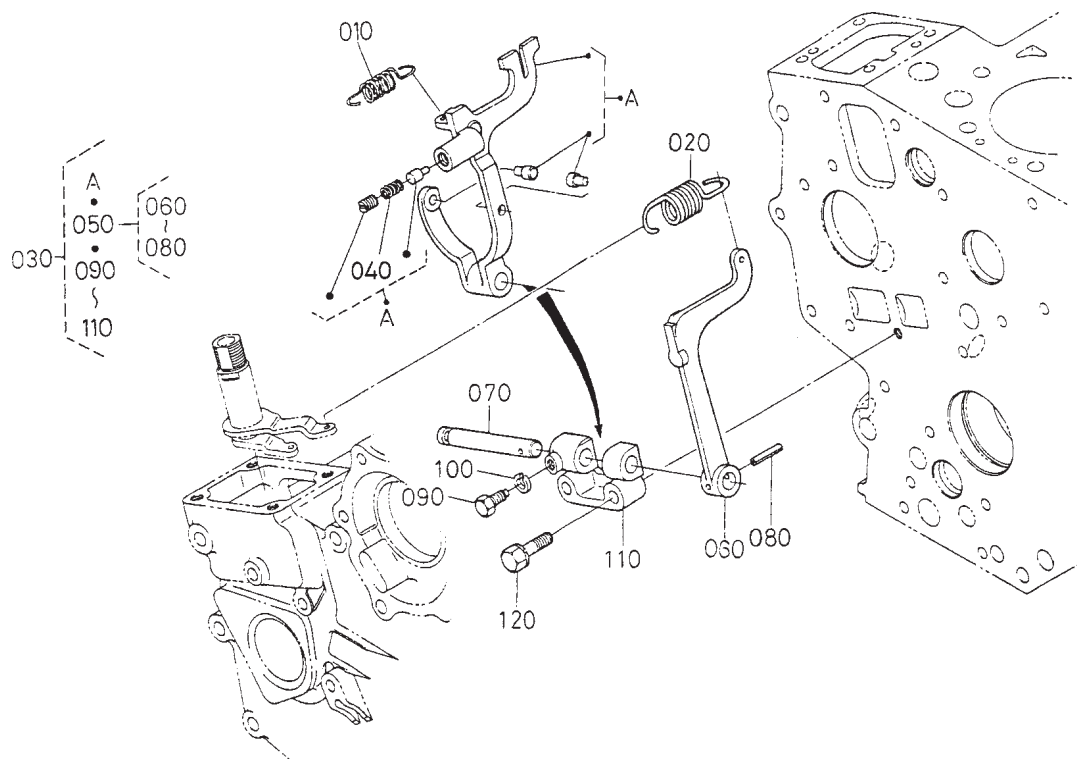
KUBOTA D722E2B/E3B — NOZZLE HOLDER (COMPONET PARTS) ASSY.

NOZZLE HOLDER ASSY. (COMPONET PARTS)

<u>NO.</u>	<u>PART NO.</u>	<u>PART NAME</u>	<u>QTY.</u>	<u>REMARKS</u>
110	1584198660	WASHER, ADJUSTING (1.300mm)	3	
110	1584198670	WASHER, ADJUSTING (1.325mm)	3	
110	1584198680	WASHER, ADJUSTING (1.350mm)	3	
110	1584198690	WASHER, ADJUSTING (1.375mm)	3	
110	1584198700	WASHER, ADJUSTING (1.400mm)	3	
110	1584198710	WASHER, ADJUSTING (1.425mm)	3	
110	1584198720	WASHER, ADJUSTING (1.450mm)	3	
110	1584198730	WASHER, ADJUSTING (1.475mm)	3	
110	1584198740	WASHER, ADJUSTING (1.500mm)	3	
110	1584198750	WASHER, ADJUSTING (1.525mm)	3	
110	1584198760	WASHER, ADJUSTING (1.550mm)	3	
110	1584198770	WASHER, ADJUSTING (1.575mm)	3	
110	1584198780	WASHER, ADJUSTING (1.600mm)	3	
110	1584198790	WASHER, ADJUSTING (1.625mm)	3	
110	1584198800	WASHER, ADJUSTING (1.650mm)	3	
110	1584198810	WASHER, ADJUSTING (1.675mm)	3	
110	1584198820	WASHER, ADJUSTING (1.700mm)	3	
110	1584198830	WASHER, ADJUSTING (1.725mm)	3	
110	1584198840	WASHER, ADJUSTING (1.750mm)	3	
110	1584198850	WASHER, ADJUSTING (1.775mm)	3	
110	1584198860	WASHER, ADJUSTING (1.800mm)	3	
110	1584198870	WASHER, ADJUSTING (1.825mm)	3	
110	1584198880	WASHER, ADJUSTING (1.850mm)	3	
110	1584198890	WASHER, ADJUSTING (1.875mm)	3	
110	1584198900	WASHER, ADJUSTING (1.900mm)	3	
110	1584198910	WASHER, ADJUSTING (1.925mm)	3	
110	1584198820	WASHER, ADJUSTING (1.950mm)	3	
120	1584153622	GASKET	3	D722-E3B ONLY
130	1907753650	SEAL, HEAT	3	D722-E3B ONLY

KUBOTA D722E2B/E3B — FORK LEVER (GOVERNOR) ASSY.

FORK LEVER ASSY. (GOVERNOR)



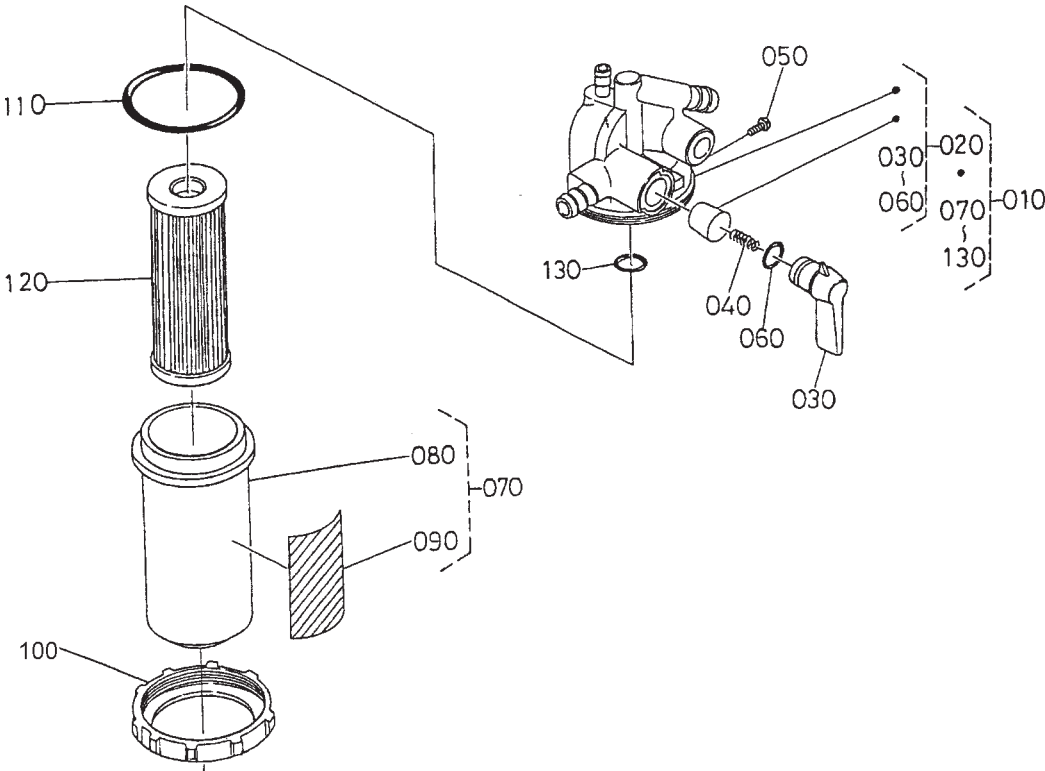
KUBOTA D722E2B/E3B — FORK LEVER (GOVERNOR) ASSY.

FORK LEVER ASSY. (GOVERNOR)

<u>NO.</u>	<u>PART NO.</u>	<u>PART NAME</u>	<u>QTY.</u>	<u>REMARKS</u>
010	1584156480	SPRING, START	1	
020	1946156410	SPRING, GOVERNOR	1	
030	1747256054	LEVER, FORK ASSY.	1	
040	1600054230	SPRING	1	
050	1584156060	LEVER, FORK ASSY.	1	
060	1584156130	LEVER, FORK	1	
070	1584156150	SHAFT, FORK LEVER	1	
080	0541100318	PIN, SPRING	1	
090	1526166410	BOLT	1	
100	0451260050	WASHER, LOCK	1	
110	1584156230	HOLDER, FORK LEVER	1	
120	0102350635	BOLT	2	

KUBOTA D722E2B/E3B — FUEL FILTER ASSY.

FUEL FILTER ASSY.



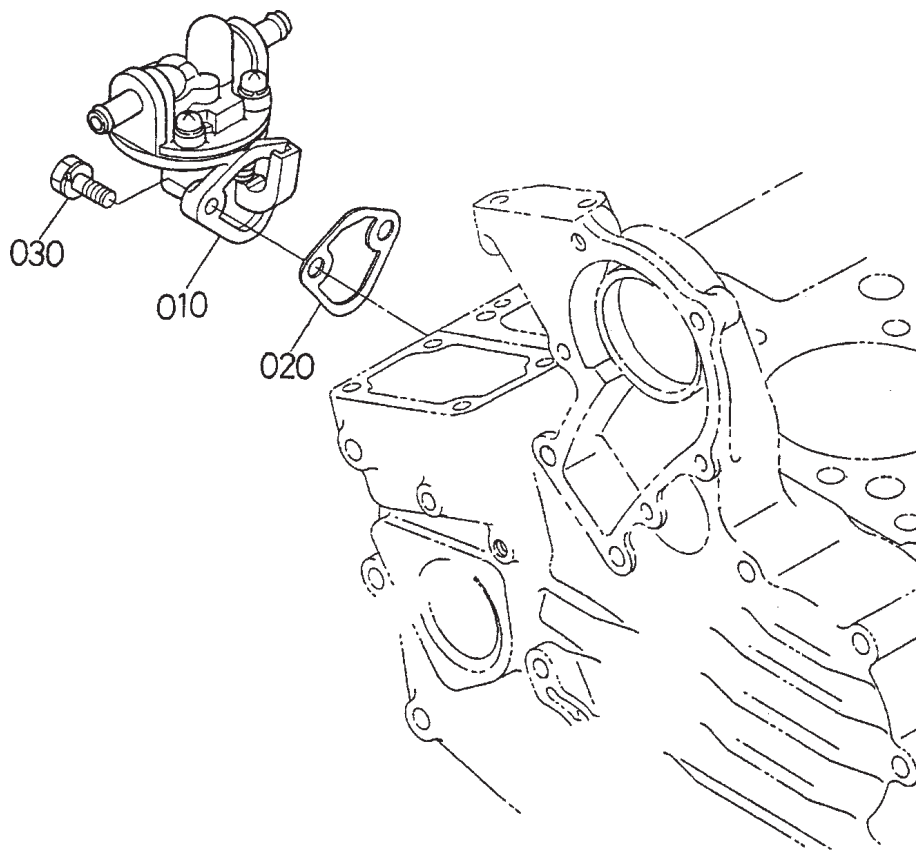
KUBOTA D722E2B/E3B — FUEL FILTER ASSY.

FUEL FILTER ASSY.

<u>NO.</u>	<u>PART NO.</u>	<u>PART NAME</u>	<u>QTY.</u>	<u>REMARKS</u>
010	1553143010	FILTER, FUEL ASSY.	1	
020	1553143110	COMP. BODY, COCK	1	
030	1430143522	LEVER, COCK	1	
040	1430143820	SPRING, VALVE	1	
050	1430143830	SCREW, SET	1	
060	1430143840	O'RING, LEVER	1	
070	1539343100	CUP, FILTER ASSY.	1	D722-E2B ONLY
070	1T25143100	CUP, FILTER ASSY.	1	D722-E3B ONLY
080	1539343580	CUP, FILTER	1	D722-E2B ONLY
080	1T02143580	CUP, FILTER	1	D722-E3B ONLY
090	1687388430	LABEL, FUEL	1	
100	1430143590	RING, RETAINING	1	D722-E2B ONLY
100	1T02143590	RING, RETAINING	1	D722-E3B ONLY
110	1430143650	O'RING, FILTER CUP	1	D722-E2B ONLY
110	0481600390	O'RING, FILTER CUP	1	D722-E3B ONLY
120	1523143560	ELEMENT, ASSY.	1	D722-E2B ONLY
120	1T02143560	ELEMENT, ASSY.	1	D722-E3B ONLY
130	1430143570	O'RING, FILTER	1	

KUBOTA D722E2B/E3B — FUEL PUMP (MECHANICAL) ASSY.

FUEL PUMP ASSY. (MECHANICAL)



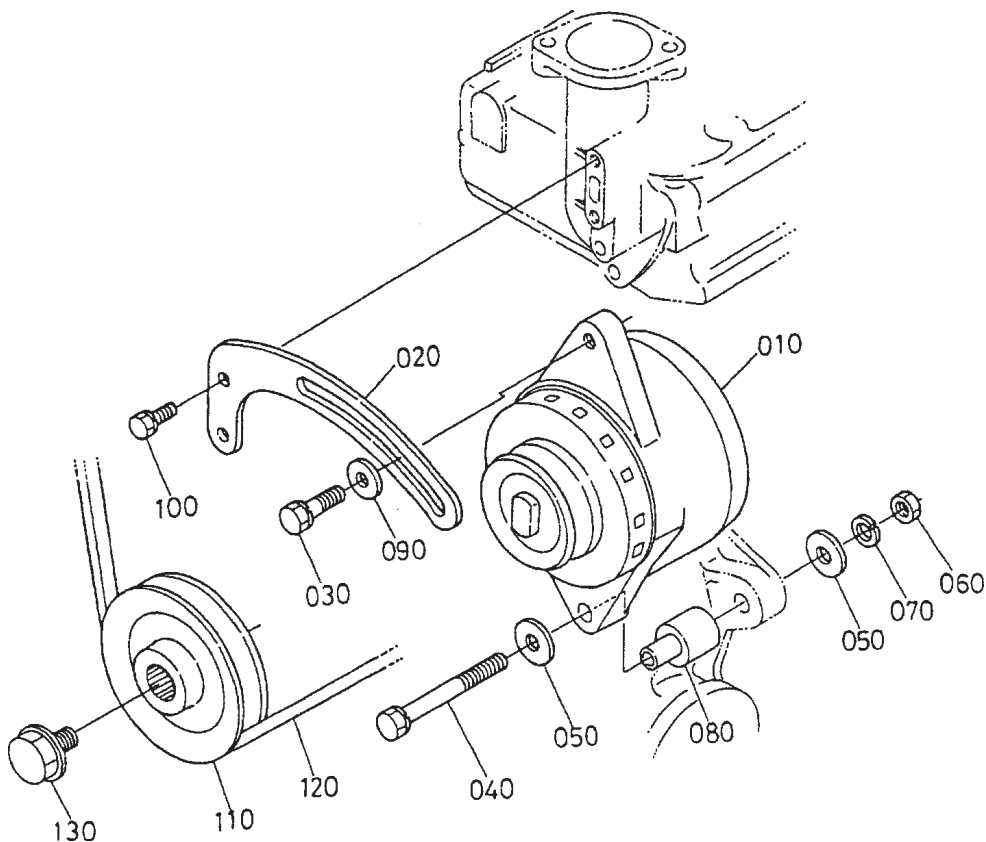
KUBOTA D722E2B/E3B — FUEL PUMP (MECHANICAL) ASSY.

FUEL PUMP ASSY. (MECHANICAL)

<u>NO.</u>	<u>PART NO.</u>	<u>PART NAME</u>	<u>QTY.</u>	<u>REMARKS</u>
010	1582152030	PUMP, FUEL ASSY.	1	
020	1626452140	GASKET, FUEL PUMP	1	
030	0102350616	BOLT	2	

KUBOTA D722E2B/E3B — DYNAMO AND PULLEY ASSY.

DYNAMO AND PULLEY ASSY.



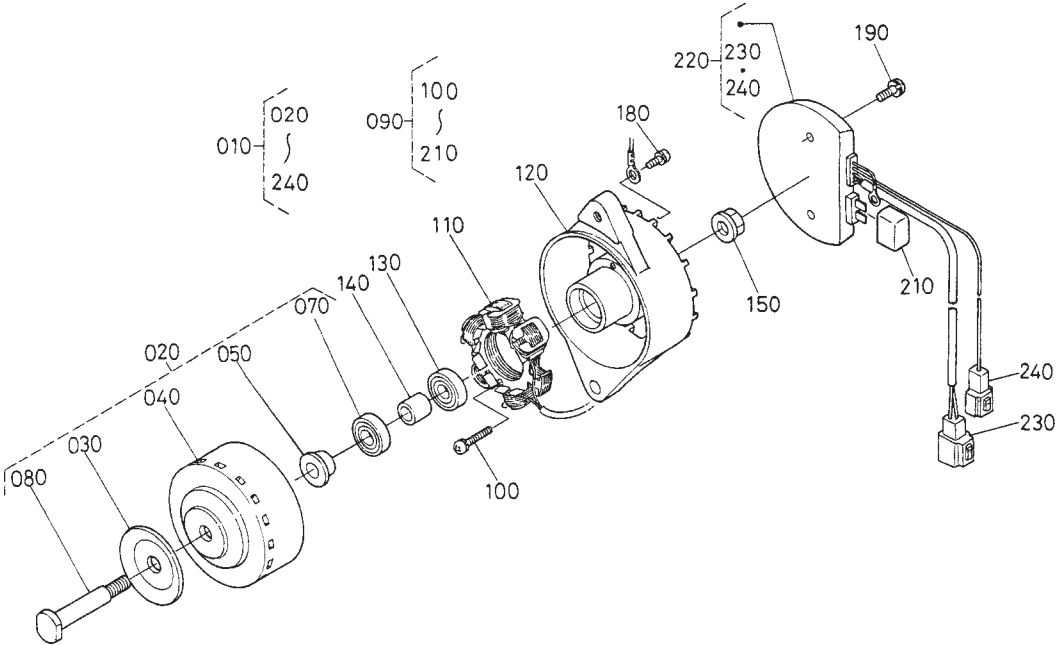
KUBOTA D722E2B/E3B — DYNAMO AND PULLEY ASSY.

DYNAMO AND PULLEY ASSY.

<u>NO.</u>	<u>PART NO.</u>	<u>PART NAME</u>	<u>QTY.</u>	<u>REMARKS</u>
010	1747264012	DYNAMO ASSY.	1	
020	1747264420	STAY, DYNAMO	1	
030	0112350830	BOLT	1	D722-E2B ONLY
030	1687191030	BOLT	1	D722-E3B ONLY
040	0115350865	BOLT	1	
050	0401360080	WASHER, FLAT	2	
060	0215650080	NUT	1	
070	0451260080	WASHER, LOCK	1	
080	1747264370	COLLAR	1	
090	0401560080	WASHER, FLAT	1	D722-E2B ONLY
100	0102350616	BOLT	2	
110	1687574280	PULLEY, FAN DRIVE	1	
120	1747297010	V-BELT	1	
130	1588191030	BOLT	1	

KUBOTA D722E2B/E3B — DYNAMO ASSY.

DYNAMO ASSY. COMPONENT PARTS)



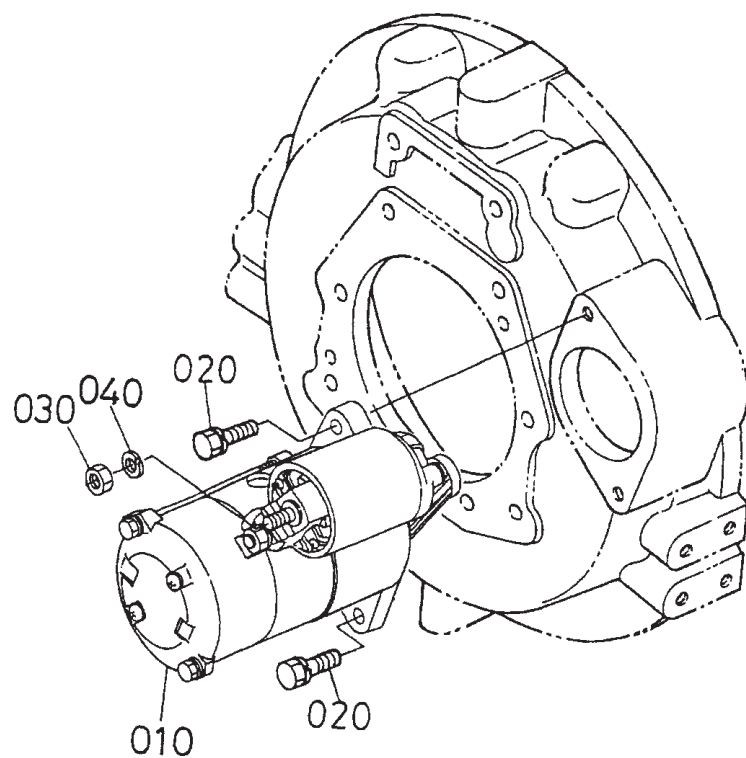
KUBOTA D722E2B/E3B — DYNAMO ASSY.

DYNAMO ASSY. (COMPONENT PARTS)

<u>NO.</u>	<u>PART NO.</u>	<u>PART NAME</u>	<u>QTY.</u>	<u>REMARKS</u>
010	1747264012	ASSY DYNAMO	1	
020	1747264122	COMP. ROTOR	1	
030	1553164110	PULLEY	1	
040	1747264042	ROTOR	1	
050	1747264150	COLLAR	1	
070	1567974180	BEAR ING, BALL	1	
080	1747264552	SHAFT	1	D722-E2B ONLY
080	1538174140	SHAFT, FAN.....	1	D722-E3B ONLY
090	1747264362	COMP. STATOR	1	
100	1526193010	SCREW, ROUND HEAD	2	
110	1747264292	STATOR	1	
120	1747264722	PLATE	1	
130	1567974180	BEAR ING, BALL	1	
140	1526164150	COLLAR	1	
150	0277160100	NUT, FLANGE	1	D722-E2B ONLY
150	1526192030	NUT	1	D722-E3B ONLY
160	1526194070	WASHER SPRING	1	D722-E3B ONLY
170	1526194020	WASHER, FLAT	1	D722-E3B ONLY
180	1747293020	SCREW, TAPPING	1	
190	1747293012	SCREW, TAPPING	2	
210	1747264950	COVER, TERMINAL	1	
220	1747264602	ASSY REGULATOR	1	
230	1747265900	COUPLER	1	
240	1747265920	COUPLER	1	

KUBOTA D722E2B/E3B — STARTER ASSY.

STARTER ASSY.



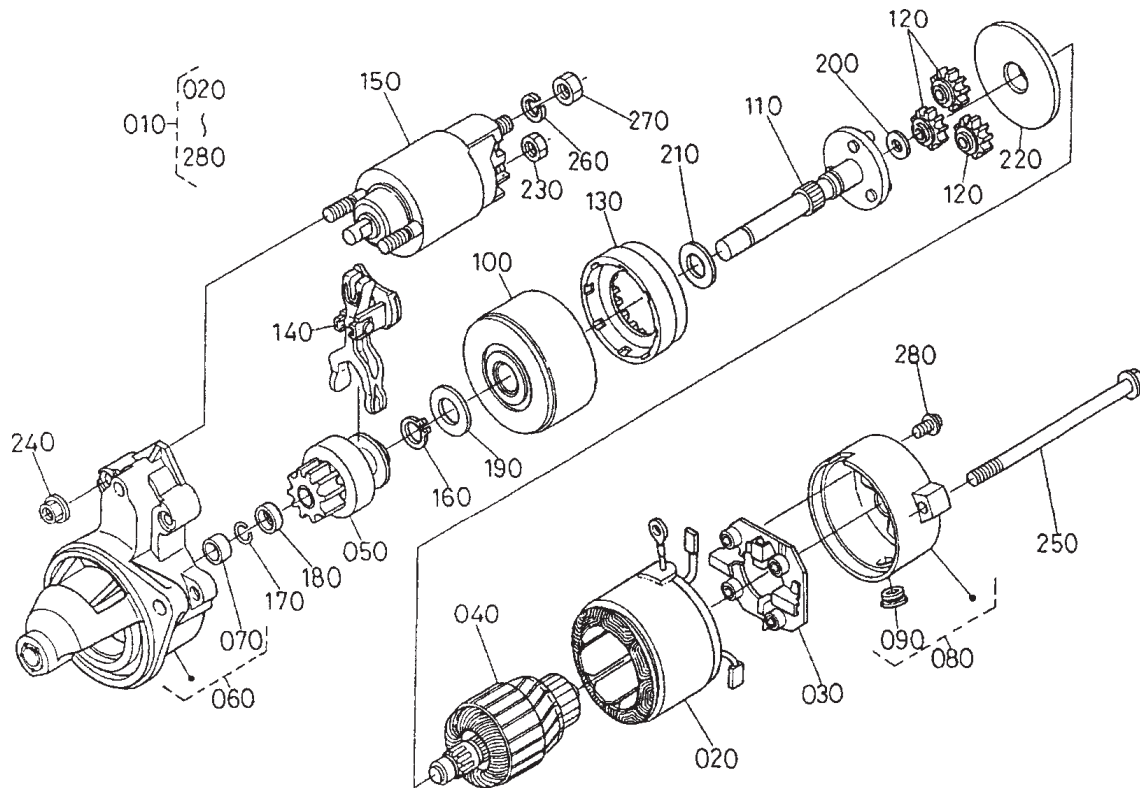
KUBOTA D722E2B/E3B — STARTER ASSY.

STARTER ASSY.

<u>NO.</u>	<u>PART NO.</u>	<u>PART NAME</u>	<u>QTY.</u>	<u>REMARKS</u>
010	6798031150	STARTER, ASSY.	1	
020	0112350825	BOLT	2	
030	0215650080	NUT	1	
040	0451260080	WASHER, LOCK	1	

KUBOTA D722E2B/E3B — STARTER ASSY.(COMPONENT PARTS)

STARTER ASSY. (COMPONENT PARTS)



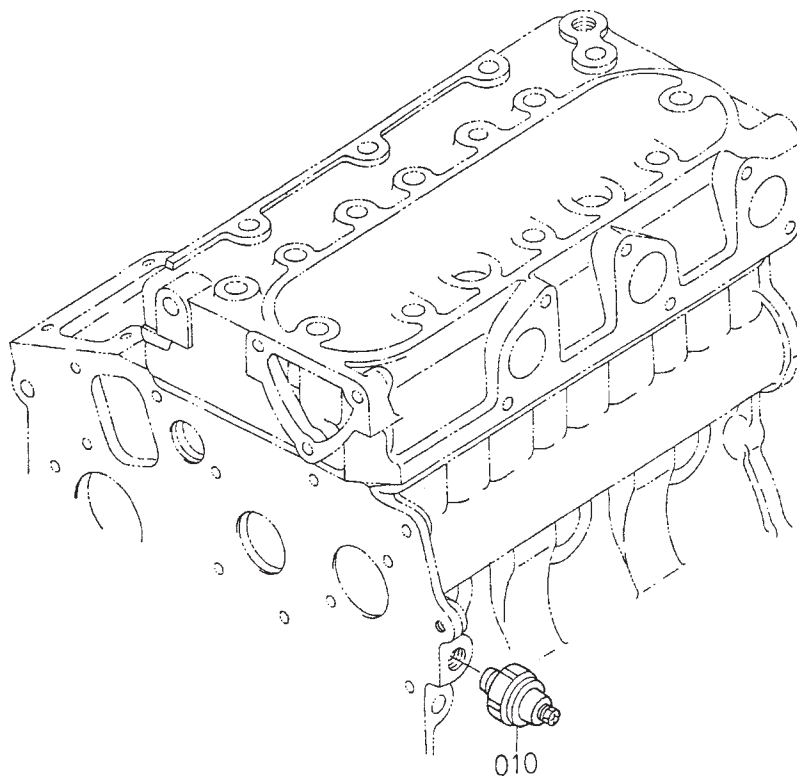
KUBOTA D722E2B/E3B — STARTER ASSY.(COMPONENT PARTS)

STARTER ASSY. (COMPONENT PARTS)

<u>NO.</u>	<u>PART NO.</u>	<u>PART NAME</u>	<u>QTY.</u>	<u>REMARKS</u>
010	6798031150	STARTER ASSY.	1	
020	6A10031160	YOKE, STARTER ASSY.	1	
030	1495863380	HOLDER ASSY.	1	
040	6A10031170	ARMATURE ASSY.	1	
050	K351181430	CLUTCH, STARTER ASSY.	1	
060	6798031180	HOUSING, STARTER ASSY.	1	
070	6A10031190	BEARING	1	
080	K351 181450	FRAME ASSY.	1	
090	1218263290	COVER	1	
100	1495863530	BEARING ASSY.	1	
110	K351181460	SHAFT, STARTER ASSY.	1	
120	1495863260	GEAR	3	
130	1495863270	GEAR	1	
140	1495863050	LEVER	1	
150	1218163080	ASSY SWITCH, MAGNET	1	
160	1495863170	RING, SNAP	1	
170	1218163220	RING, SNAP	1	
180	1381663460	COLLAR	1	
190	1495894010	WASHER, FLAT	1	
200	1495894020	WASHER, FLAT	1	
210	1495894030	WASHER, FLAT	1	
220	1495894040	PLATE	1	
230	1661192020	NUT, HEXAGON	1	
240	1427892010	NUT	2	
250	1146063320	BOLT, THROUGH	2	
260	1380194100	WASHER, LOCK	1	
270	1961692010	NUT, HEXAGON	1	
280	K351181480	SCREW	2	

KUBOTA D722E2B/E3B — OIL SWITCH/THERMOMETER AND PLUG ASSY.

OIL SWITCH/ THERMOMETER AND PLUG ASSY.



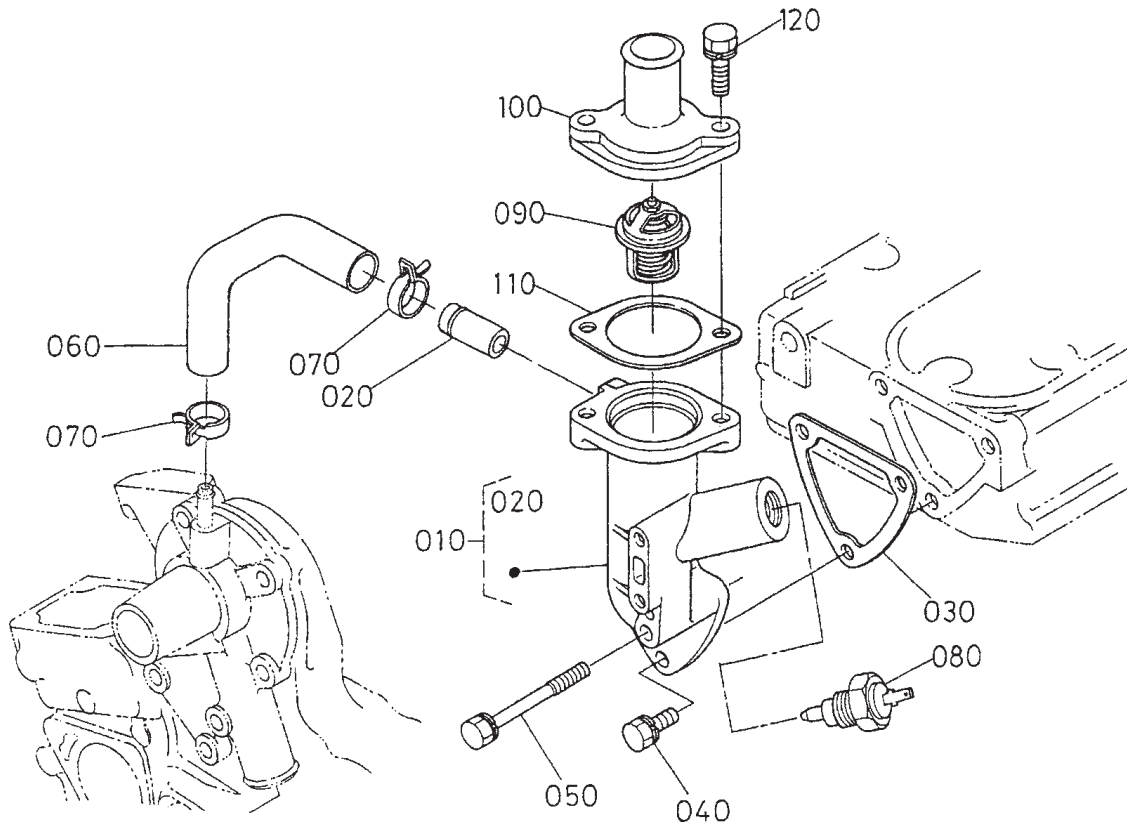
KUBOTA D722E2B/E3B — OIL SWITCH/THERMOMETER AND PLUG ASSY.

OIL SWITCH/ THERMOMETER AND PLUG ASSY.

<u>NO.</u>	<u>PART NO.</u>	<u>PART NAME</u>	<u>QTY.</u>	<u>REMARKS</u>
010	1522139013	SWITCH, OIL	1	

KUBOTA D722E2B/E3B — WATER FLANGE AND THERMOSTAT ASSY.

WATER FLANGE AND THERMOSTAT ASSY.



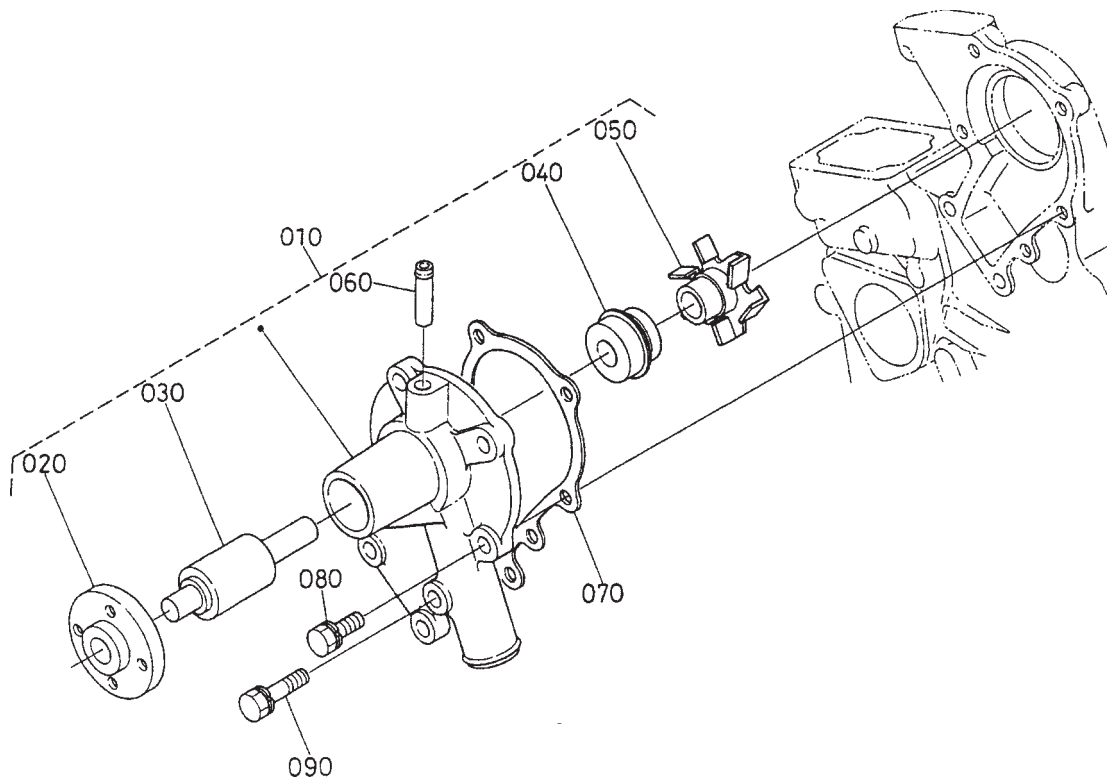
KUBOTA D722E2B/E3B — WATER FLANGE AND THERMOSTAT ASSY.

WATER FLANGE AND THERMOSTAT ASSY.

<u>NO.</u>	<u>PART NO.</u>	<u>PART NAME</u>	<u>QTY.</u>	<u>REMARKS</u>
010	1687572704	FLANGE, COMP.	1	
020	1624173370	PIPE, WATER RETURN	1	
030	1584172923	GASKET, WATER FLANGE	1	
040	0102350616	BOLT	2	
050	0102360650	BOLT	1	
060	1685173350	PIPE, WATER RETURN	1	
070	1624173360	BAND, PIPE	2	
080	1753883040	SWITCH, THERMOMETER	1	
090	1920373010	THERMOSTAT ASSY.	1	
100	1584173260	COVER, THERMOSTAT	1	
110	1685173270	GASKET, THERMOSTAT	1	
120	0102350622	BOLT	2	

KUBOTA D722E2B/E3B — WATER PUMP ASSY.

WATER PUMP ASSY.



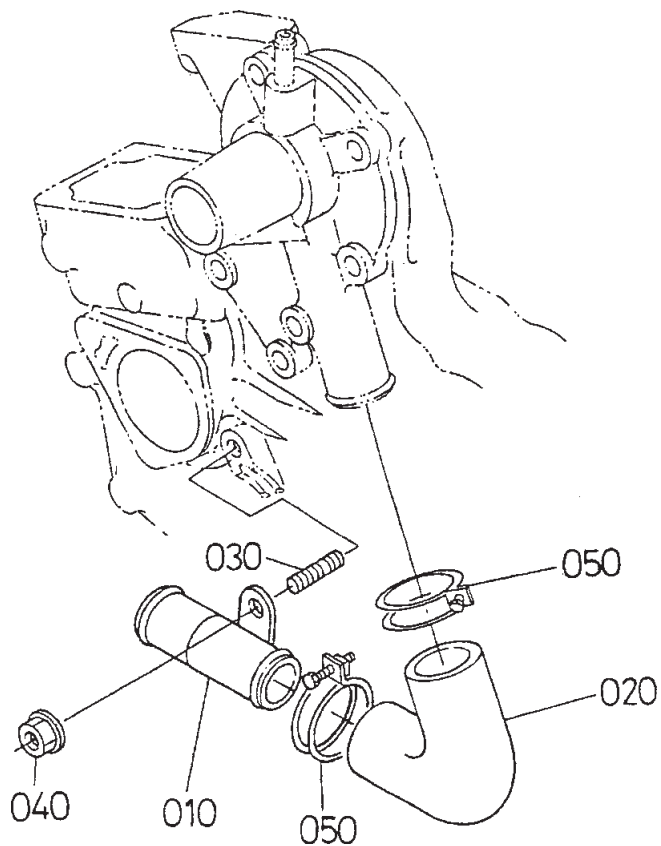
KUBOTA D722E2B/E3B — WATER PUMP ASSY.

WATER PUMP ASSY.

<u>NO.</u>	<u>PART NO.</u>	<u>PART NAME</u>	<u>QTY.</u>	<u>REMARKS</u>
010	1988373030	PUMP ASSY., WATER	1	
020	1585273520	FLANGE, WATER PUMP	1	
030	1585273550	BEARING	1	
040	1548173050	SEAL ASSY., MECHANICAL	1	
050	1988373510	IMPELLER, WATER PUMP	1	D722-E2B ONLY
060	1585273340	PIPE, WATER RETURN	1	
070	1588173432	GASKET, WATER PUMP	1	
080	0102350622	BOLT	4	
090	0102350638	BOLT	1	

KUBOTA D722E2B/E3B — WATER PIPE ASSY.

WATER PIPE ASSY.



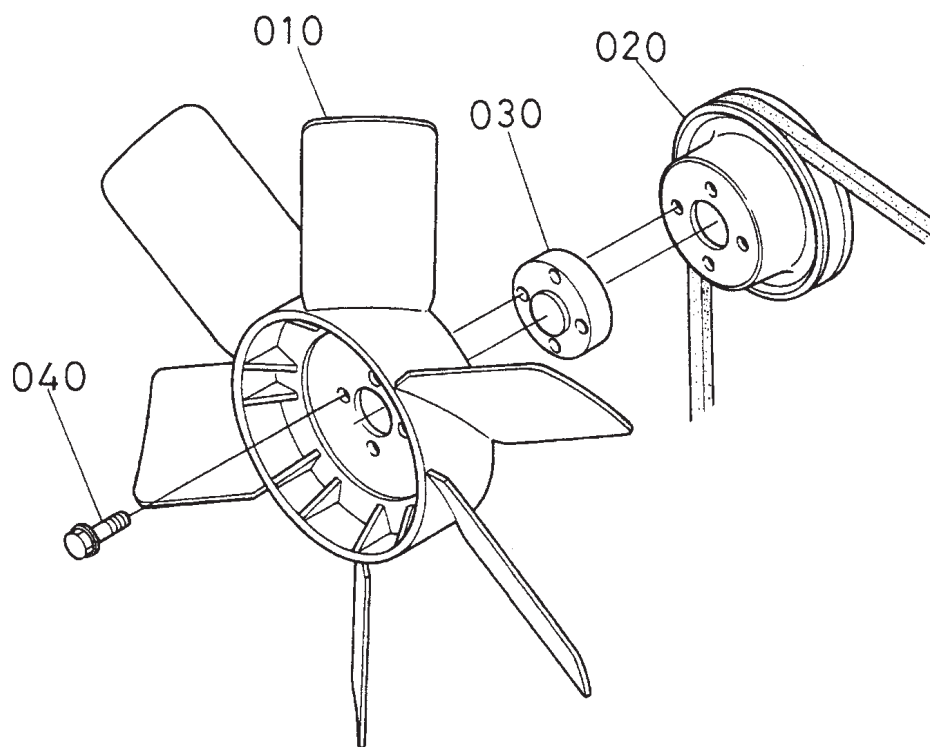
KUBOTA D722E2B/E3B — WATER PIPE ASSY.

WATER PIPE ASSY.

<u>NO.</u>	<u>PART NO.</u>	<u>PART NAME</u>	<u>QTY.</u>	<u>REMARKS</u>
010	1680572860	PIPE, WATER	1	
020	1680572870	HOSE, WATER	1	
030	1584191510	STUD	1	
040	0275150060	NUT, FLANGE	2	

KUBOTA D722E2B/E3B — FAN ASSY.

FAN ASSY.



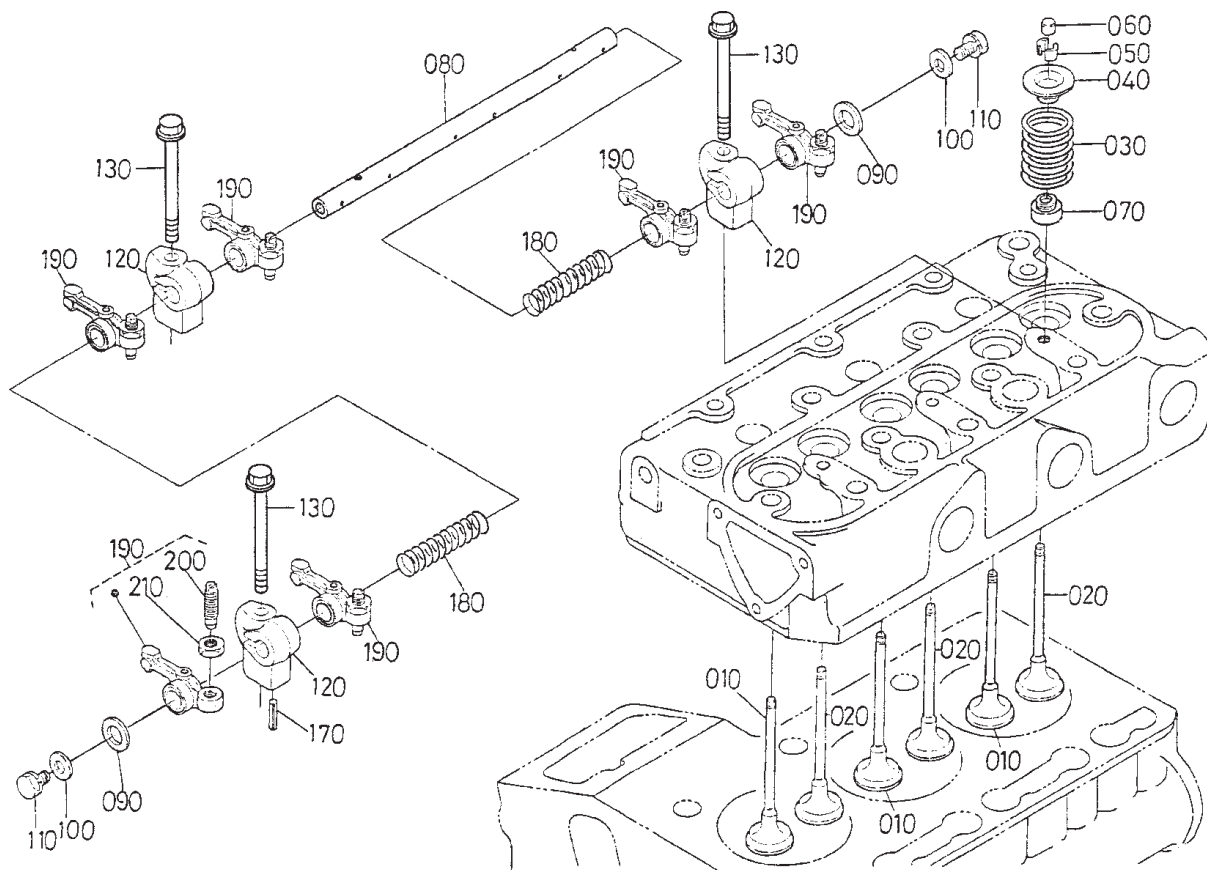
KUBOTA D722E2B/E3B — FAN ASSY.

FAN ASSY.

<u>NO.</u>	<u>PART NO.</u>	<u>PART NAME</u>	<u>QTY.</u>	<u>REMARKS</u>
010	1K16274110	FAN	1	
020	1584174250	PULLEY, FAN	1	
030	1567974150	COLLAR, FAN	1	
040	0175450640	BOLT, FLANGE	4	

KUBOTA D722E2B/E3B — VALVE AND ROCKER ARM ASSY.

VALVE AND ROCKER ARM ASSY.



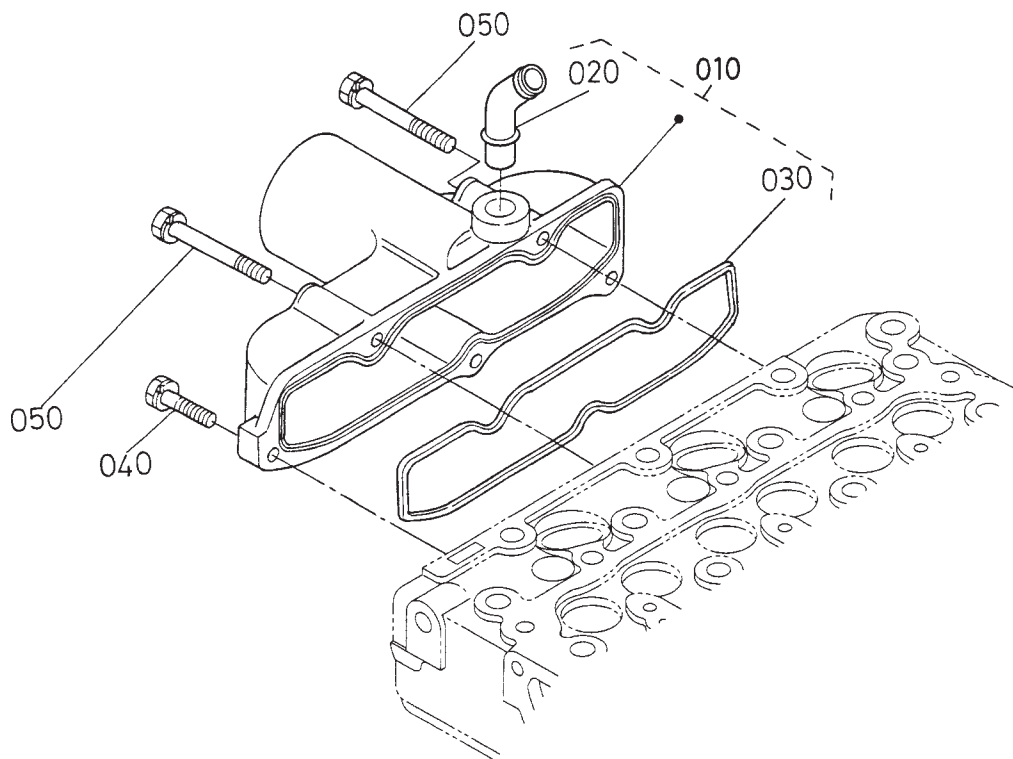
KUBOTA D722E2B/E3B — VALVE AND ROCKER ARM ASSY.

VALVE AND ROCKER ARM ASSY.

<u>NO.</u>	<u>PART NO.</u>	<u>PART NAME</u>	<u>QTY.</u>	<u>REMARKS</u>
010	1460113110	VALVE, INLET	3	
020	1460113120	VALVE, EXHAUST	3	
030	1460113240	SRING, VALVE	6	
040	1460113330	RETAINER, SPRING	6	
050	1460113360	COLLET, VALVE SPRING	6	
060	1685113280	CAP, VALVE	6	
070	1142013150	SEAL, VALVE STEM	6	
080	1586114263	SHAFT, ROCKER ARM	1	D722E2B ONLY
080	1586114264	SHAFT, ROCKER ARM	1	D722E3B ONLY
090	1687114430	WASHER	2	
100	1584194022	WASHER, FLAT	2	
110	0102350610	BOLT	2	
120	1G95814350	BRACKET, ROCKER ARM	3	
130	0175450640	BOLT, FLANGE	3	
170	0541100420	PIN, SPRING	1	
180	1460114310	SPRING, ROCKER ARM	2	D722E2B ONLY
180	1460114312	SPRING, ROCKER ARM	2	D722E3B ONLY
190	1584114030	ROCKER ARM, ASSY.	6	
200	1584114230	SCREW, ADJUSTING	6	
210	1460114240	NUT	6	

KUBOTA D722E2B — INLET MANIFOLD ASSY.

INLETT MANIFOLD ASSY.



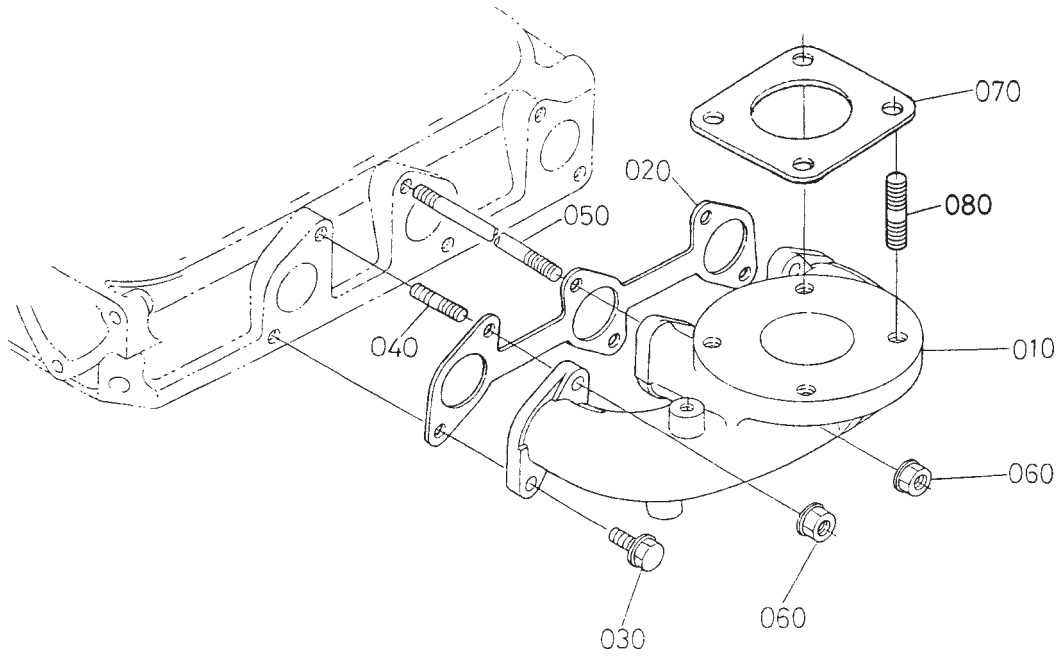
KUBOTA D722E2B — INLET MANIFOLD ASSY.

INLETT MANIFOLD ASSY.

<u>NO.</u>	<u>PART NO.</u>	<u>PART NAME</u>	<u>QTY.</u>	<u>REMARKS</u>
010	1G95811770	ASSY MANIFOLD, INLET	1	
020	1G96005550	PIPE, BREATHER	1	
030	M586111820	GASKET,IN-MANIFOLD	1	
040	0102350618	BOLT	2	
050	0102350645	BOLT	3	

KUBOTA D722E2B — EXHAUST MANIFOLD ASSY.

EXHAUST MANIFOLD ASSY.



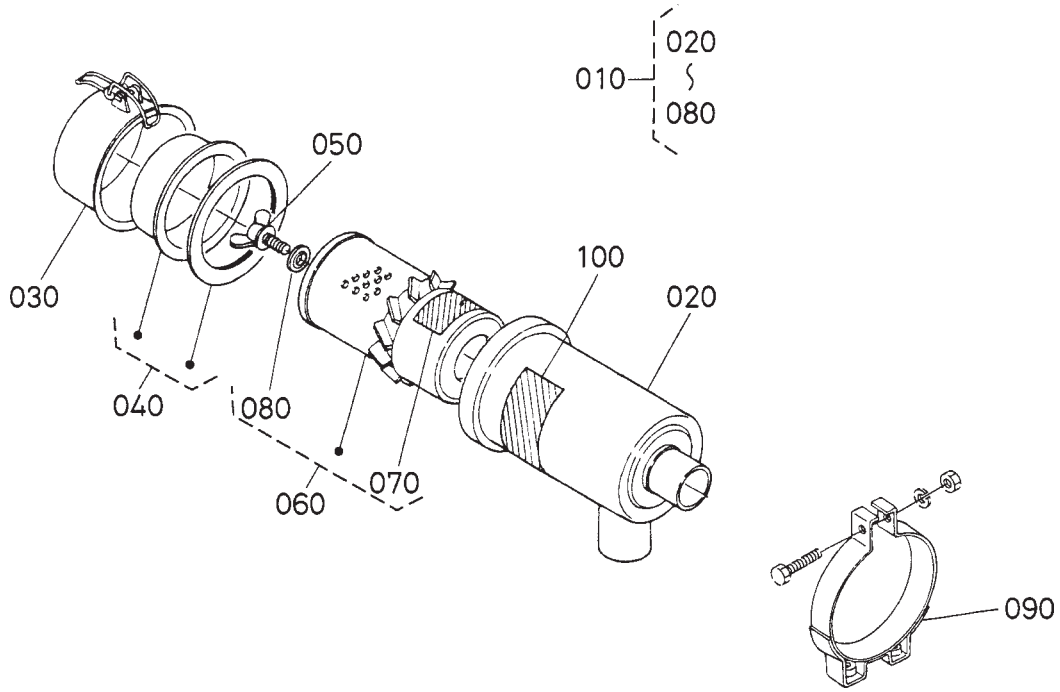
KUBOTA D722E2B — EXHAUST MANIFOLD ASSY.

EXHAUST MANIFOLD ASSY.

<u>NO.</u>	<u>PART NO.</u>	<u>PART NAME</u>	<u>QTY.</u>	<u>REMARKS</u>
010	1902412317	MANIFOLD, EXHAUST	1	
020	1586212350	GASKET, EXMANIFOLD	1	
030	0175950616	BOLT, UBS	3	
040	0151350618	STUD	1	
050	1569491490	STUD	2	
060	0275650060	NUT, UBS	3	
070	1526312370	GASKET, MUFFLER NA	1	
080	0151350822	STUD	4	

KUBOTA D722E2B — AIR CLEANER ASSY.

AIR CLEANER ASSY.



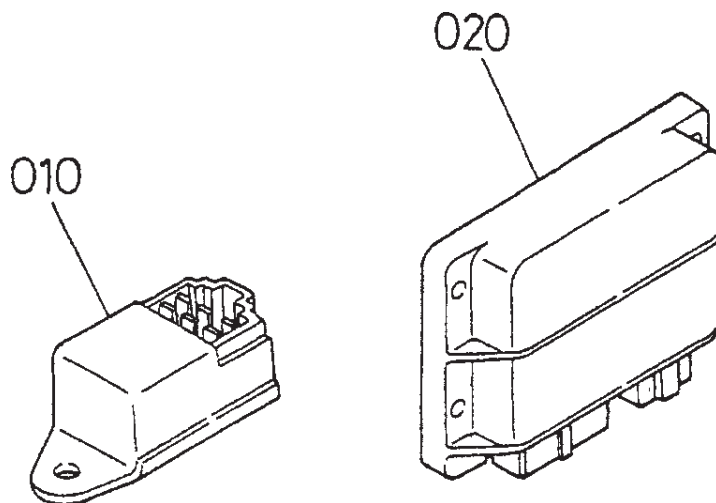
KUBOTA D722E2B — AIR CLEANER ASSY.

AIR CLEANER ASSY.

<u>NO.</u>	<u>PART NO.</u>	<u>PART NAME</u>	<u>QTY.</u>	<u>REMARKS</u>
010	1556211010	CLEANER, AIR ASSY	1	
020	1554511150	BODY, AIR CLEANER	1	
030	1558911160	COVER, AIR CLEANER	1	
040	1522111410	COVER, BAFFLE	1	
050	1522192620	BOLT, WING	1	
060	1556211080	ELEMENT, CLEANER ASSY.	1	
070	1522787480	LABEL, ELEMENT A/C	1	
080	1522194430	WASHER, WITH RUBBER	1	
090	1538111250	BAND, AIR CLEANER	1	
100	1522187450	LABEL, AIR CLEANER	1	

KUBOTA D722E2B — GLOW LAMP AND TIMER ASSY.

GLOW LAMP AND TIMER ASSY.



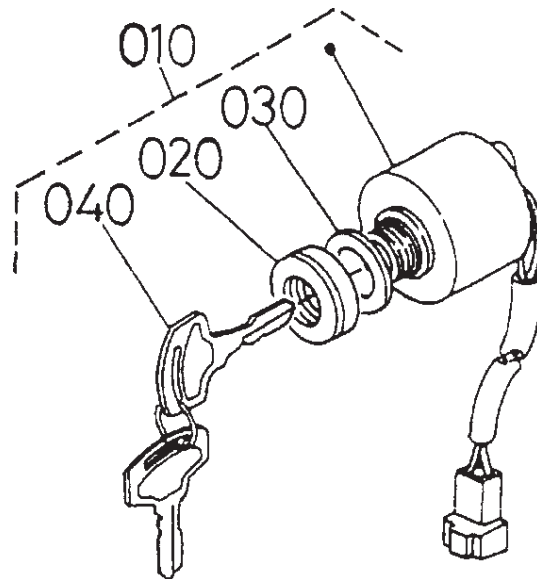
KUBOTA D722E2B — GLOW LAMP AND TIMER ASSY.

GLOW LAMP AND TIMER ASSY.

<u>NO.</u>	<u>PART NO.</u>	<u>PART NAME</u>	<u>QTY.</u>	<u>REMARKS</u>
010	1747260604	EMERGENCY UNIT	1	
020	1569465990	TIMER, GLOW LAMP	1	

KUBOTA D722E2B — STARTER SWITCH ASSY.

STARTER SWITCH ASSY.



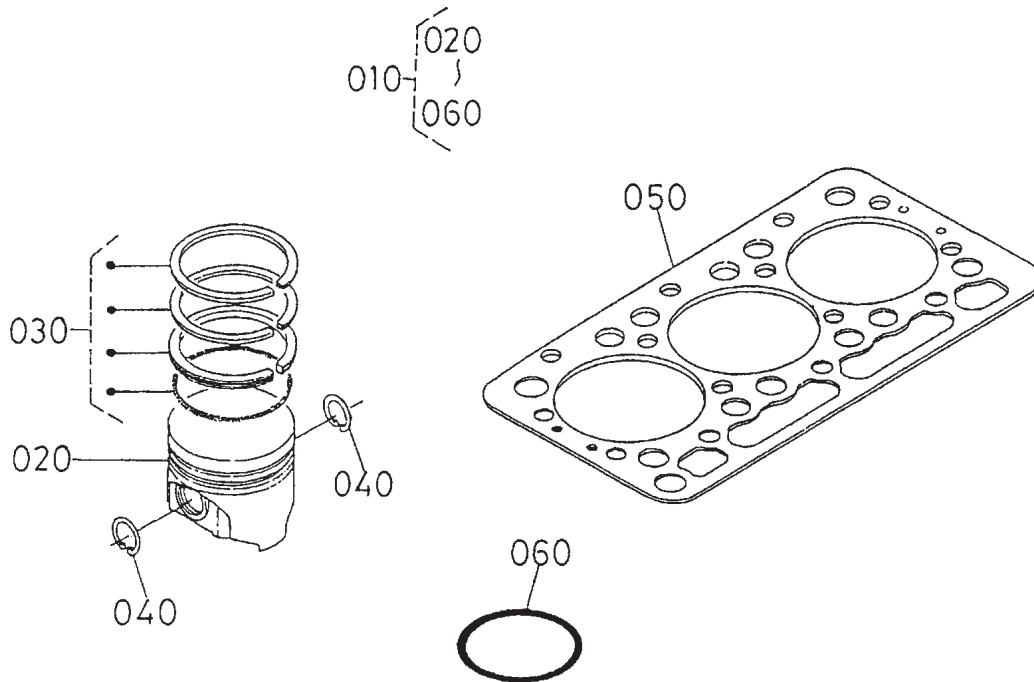
KUBOTA D722E2B — STARTER SWITCH ASSY.

STARTER SWITCH ASSY.

<u>NO.</u>	<u>PART NO.</u>	<u>PART NAME</u>	<u>QTY.</u>	<u>REMARKS</u>
010	3741059110	SWITCH, STARTER ASSY.	1	
020	3741055 180	CAP, STARTER SWITCH	1	
030	6641655170	WASHER	1	
040	3741055150	KEY, STARTER	1	

KUBOTA D722E2B — PISTON KIT ASSY.

PISTON KIT ASSY.



KUBOTA D722E2B — PISTON KIT ASSY.

PISTON KIT ASSY.

<u>NO.</u>	<u>PART NO.</u>	<u>PART NAME</u>	<u>QTY.</u>	<u>REMARKS</u>
010	1687321000	KIT, PISTON	1	
020	1685121112	PISTON	3	
030	1685321050	PISTON RING, ASSY	3	
040	M526121330	CIR CLIP, PISTON PIN	6	
050	1687103310	GASKET, CYLINDER HEAD	1	
060	1522133700	O' RING	1	

TERMS AND CONDITIONS OF SALE — PARTS

PAYMENT TERMS

Terms of payment for parts are net 30 days.

FREIGHT POLICY

All parts orders will be shipped collect or prepaid with the charges added to the invoice. All shipments are F.O.B. point of origin. Multiquip's responsibility ceases when a signed manifest has been obtained from the carrier, and any claim for shortage or damage must be settled between the consignee and the carrier.

MINIMUM ORDER

The minimum charge for orders from Multiquip is \$15.00 net. Customers will be asked for instructions regarding handling of orders not meeting this requirement.

RETURNED GOODS POLICY

Return shipments will be accepted and credit will be allowed, subject to the following provisions:

1. A Returned Material Authorization must be approved by Multiquip prior to shipment.
2. To obtain a Return Material Authorization, a list must be provided to Multiquip Parts Sales that defines item numbers, quantities, and descriptions of the items to be returned.
 - a. The parts numbers and descriptions must match the current parts price list.
 - b. The list must be typed or computer generated.
 - c. The list must state the reason(s) for the return.
 - d. The list must reference the sales order(s) or invoice(s) under which the items were originally purchased.
 - e. The list must include the name and phone number of the person requesting the RMA.
3. A copy of the Return Material Authorization must accompany the return shipment.
4. Freight is at the sender's expense. All parts must be returned freight prepaid to Multiquip's designated receiving point.

5. Parts must be in new and resalable condition, in the original Multiquip package (if any), and with Multiquip part numbers clearly marked.

6. The following items are not returnable:

- a. Obsolete parts. (If an item is in the price book and shows as being replaced by another item, it is obsolete.)
- b. Any parts with a limited shelf life (such as gaskets, seals, "O" rings, and other rubber parts) that were purchased more than six months prior to the return date.
- c. Any line item with an extended dealer net price of less than \$5.00.
- d. Special order items.
- e. Electrical components.
- f. Paint, chemicals, and lubricants.
- g. Decals and paper products.
- h. Items purchased in kits.

7. The sender will be notified of any material received that is not acceptable.

8. Such material will be held for five working days from notification, pending instructions. If a reply is not received within five days, the material will be returned to the sender at his expense.

9. Credit on returned parts will be issued at dealer net price at time of the original purchase, less a 15% restocking charge.

10. In cases where an item is accepted, for which the original purchase document can not be determined, the price will be based on the list price that was effective twelve months prior to the RMA date.

11. Credit issued will be applied to future purchases only.

PRICING AND REBATES

Prices are subject to change without prior notice. Price changes are effective on a specific date and all orders received on or after that date will be billed at the revised price. Rebates for price declines and added charges for price increases will not be made for stock on hand at the time of any price change.

Multiquip reserves the right to quote and sell direct to Government agencies, and to Original Equipment Manufacturer accounts who use our products as integral parts of their own products.

SPECIAL EXPEDITING SERVICE

A \$35.00 surcharge will be added to the invoice for special handling including bus shipments, insured parcel post or in cases where Multiquip must personally deliver the parts to the carrier.

LIMITATIONS OF SELLER'S LIABILITY

Multiquip shall not be liable hereunder for damages in excess of the purchase price of the item with respect to which damages are claimed, and in no event shall Multiquip be liable for loss of profit or good will or for any other special, consequential or incidental damages.

LIMITATION OF WARRANTIES

No warranties, express or implied, are made in connection with the sale of parts or trade accessories nor as to any engine not manufactured by Multiquip. Such warranties made in connection with the sale of new, complete units are made exclusively by a statement of warranty packaged with such units, and Multiquip neither assumes nor authorizes any person to assume for it any other obligation or liability whatever in connection with the sale of its products. Apart from such written statement of warranty, there are no warranties, express, implied or statutory, which extend beyond the description of the products on the face hereof.

Effective: February 22, 2006

PARTS MANUAL

HERE'S HOW TO GET HELP

PLEASE HAVE THE MODEL AND SERIAL
NUMBER ON-HAND WHEN CALLING

UNITED STATES

Multiquip Corporate Office

18910 Wilmington Ave. Tel. (800) 421-1244
Carson, CA 90746 Fax (800) 537-3927
Contact: mq@multiquip.com

Mayco Parts

800-306-2926 Fax: 800-672-7877
310-537-3700 Fax: 310-637-3284

Service Department

800-421-1244 Fax: 310-537-4259
310-537-3700

MQ Parts Department

800-427-1244 Fax: 800-672-7877
310-537-3700 Fax: 310-637-3284

Warranty Department

800-421-1244, Ext. 279 Fax: 310-537-1173
310-537-3700, Ext. 279

Technical Assistance

800-478-1244 Fax: 310-631-5032

MEXICO

MQ Cipsa

Carr. Fed. Mexico-Puebla KM 126.5 Tel: (52) 222-225-9900
Momoxpan, Cholula, Puebla 72760 Mexico Fax: (52) 222-285-0420
Contact: pmastretta@cipsa.com.mx

UNITED KINGDOM

Multiquip (UK) Limited Head Office

Unit 2, Northpoint Industrial Estate, Tel: 0161 339 2223
Global Lane, Fax: 0161 339 3226
Dukinfield, Cheshire SK16 4UJ
Contact: sales@multiquip.co.uk

CANADA

Multiquip

4110 Industriel Boul. Tel: (450) 625-2244
Laval, Quebec, Canada H7L 6V3 Tel: (877) 963-4411
Contact: jmartin@multiquip.com Fax: (450) 625-8664

© COPYRIGHT 2010, MULTIQUIP INC.

Multiquip Inc and the MQ logo are registered trademarks of Multiquip Inc. and may not be used, reproduced, or altered without written permission. All other trademarks are the property of their respective owners and used with permission.

This manual MUST accompany the equipment at all times. This manual is considered a permanent part of the equipment and should remain with the unit if resold.

The information and specifications included in this publication were in effect at the time of approval for printing. Illustrations, descriptions, references and technical data contained in this manual are for guidance only and may not be considered as binding. Multiquip Inc. reserves the right to discontinue or change specifications, design or the information published in this publication at any time without notice and without incurring any obligations.

Your Local Dealer is:

